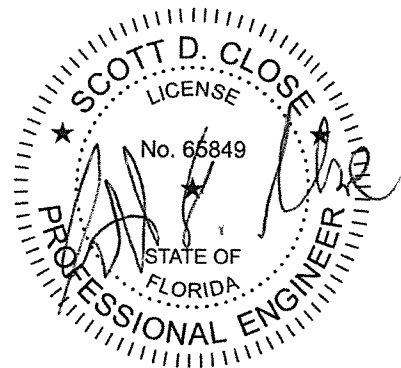




SurLok Roof Installation Instructions HVHZ



May 4, 2020

2812 Tallevast Road, Sarasota, Florida 34243 * Phone (941) 755-7073 * Fax (941) 755-3067
Website: www.tridentbuildingsystems.com
Florida License CGC059531





2812 Tallevast Road • Sarasota, Florida 34243
 Phone: 941-755-7073 • Fax: 941-755-3067

Sur-Lok 360 Plus™ Roof System Architectural Details (HVHZ)

PAGE: 1
 REVISION NO: 1
 DATE: 12/2/11

Index

General Details

Details Index.....	1.....
Detail Locator.....	2.....
Roof Panel Section.....	3.....
Roof Panel Seam Section.....	4.....
Roof Panel Clip Details.....	5.....
Roof Panel Endlap Details.....	6.....
Roof Panel End Dam Details.....	7.....
Insulation Section – Rigid Foam.....	8.....
Insulation Section – Glass Fiber Blanket With Spacers.....	9.....
Insulation Section – Glass Fiber Blanket.....	10.....

High Pitch Roof Details

Eave Section – Eave Trim.....	11.....
Eave Section – Eave Gutter.....	12.....
Eave Section – Surface Mounted Gutter.....	13.....
Mansard Section.....	14.....
Ridge Section.....	15.....
High Eave Section.....	16.....
Rake Section.....	17.....
Transition Section – High Eave.....	18.....
Transition Section – Rake.....	19.....
Hip Section.....	20.....
Valley Section.....	21.....

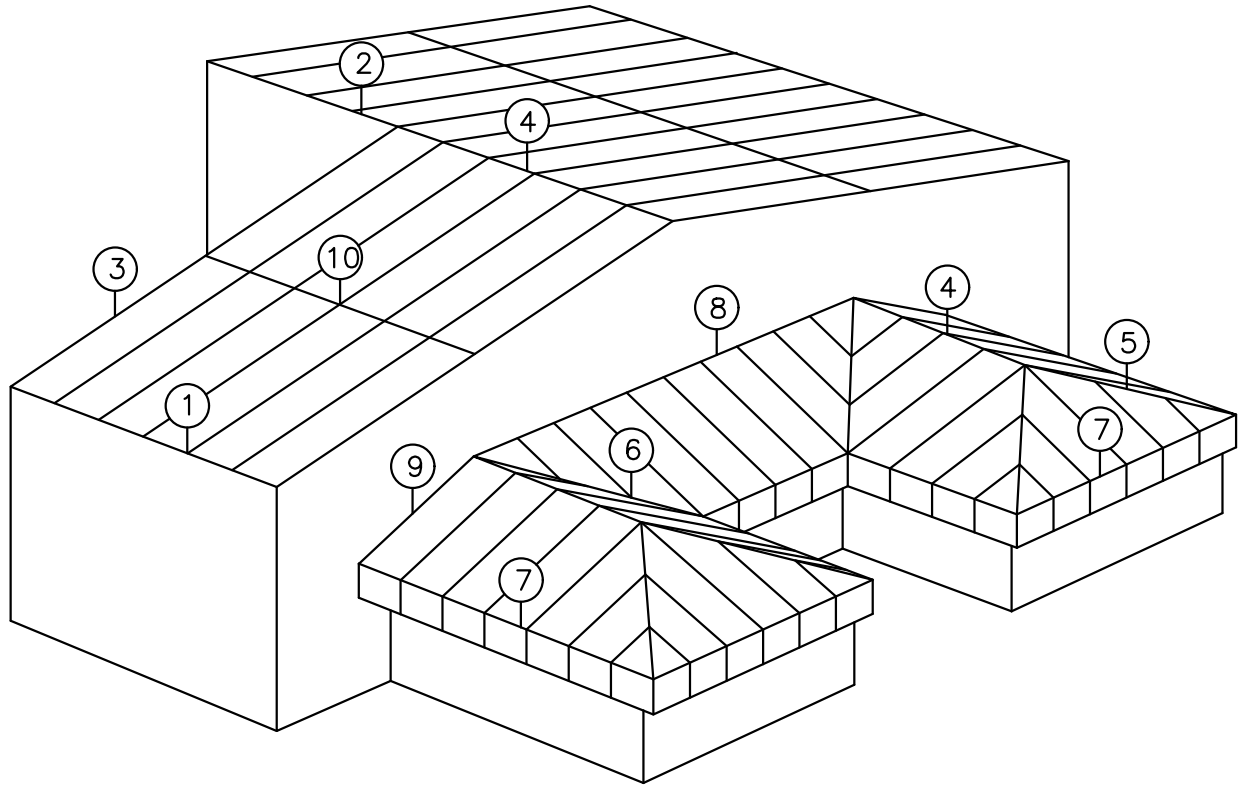
Low Pitch Roof Details

Eave Section – Eave Trim.....	22.....
Eave Section – Sculptured Eave Trim.....	23.....
Eave Section – Eave Gutter.....	24.....
Eave Section – Surface Mounted Gutter.....	25.....
Roof Panel Endlap Section.....	26.....
Ridge Section.....	27.....
High Eave Section.....	28.....
Rake Section – Starting Rake.....	29.....
Rake Section – Finish Rake.....	30.....
Transition Section – High Eave.....	31.....
Transition Section – Starting Rake.....	32.....
Transition Section – Finish Rake.....	33.....
Interior Gutter Section.....	34.....
Valley Gutter Section.....	35.....



2812 Tallevast Road • Sarasota, Florida 34243
Phone: 941-755-7073 • Fax: 941-755-3067

Sur-Lok 360 Plus™ Roof System Architectural Details (HVHZ)



DETAIL LEGEND

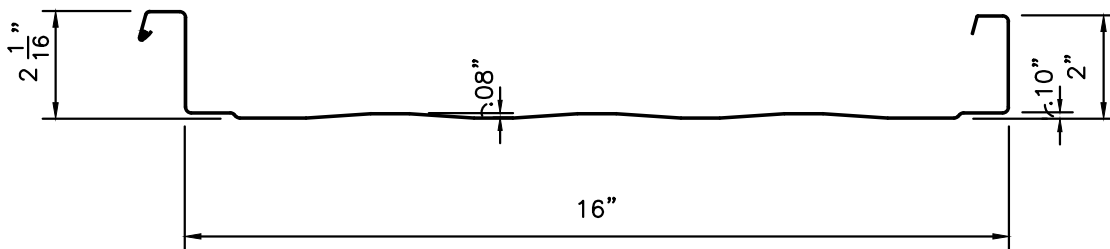
- ①EAVE
- ②HIGH EAVE
- ③RAKE
- ④RIDGE
- ⑤HIP
- ⑥VALLEY
- ⑦MANSARD
- ⑧HIGH EAVE TRANSITION
- ⑨RAKE TRANSITION
- ⑩ROOF PANEL ENDLAP

Detail Locator



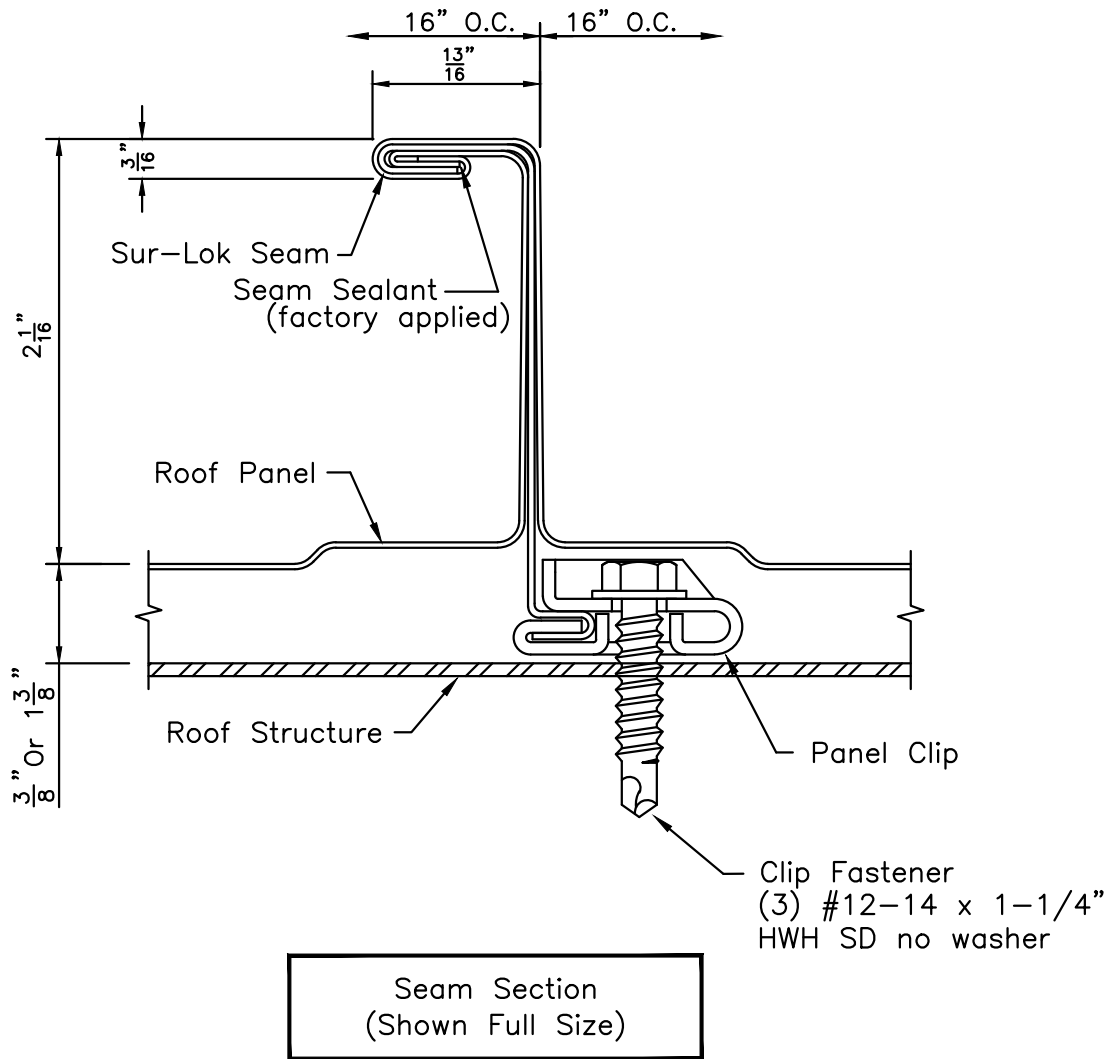
2812 Tallevast Road • Sarasota, Florida 34243
Phone: 941-755-7073 • Fax: 941-755-3067

Sur-Lok 360 Plus™ Roof System Architectural Details (HVHZ)



SurLok Roof Panel
With Striated Pan

Architectural Details (HVHZ)

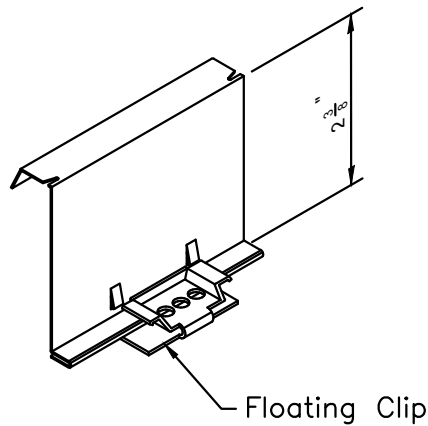
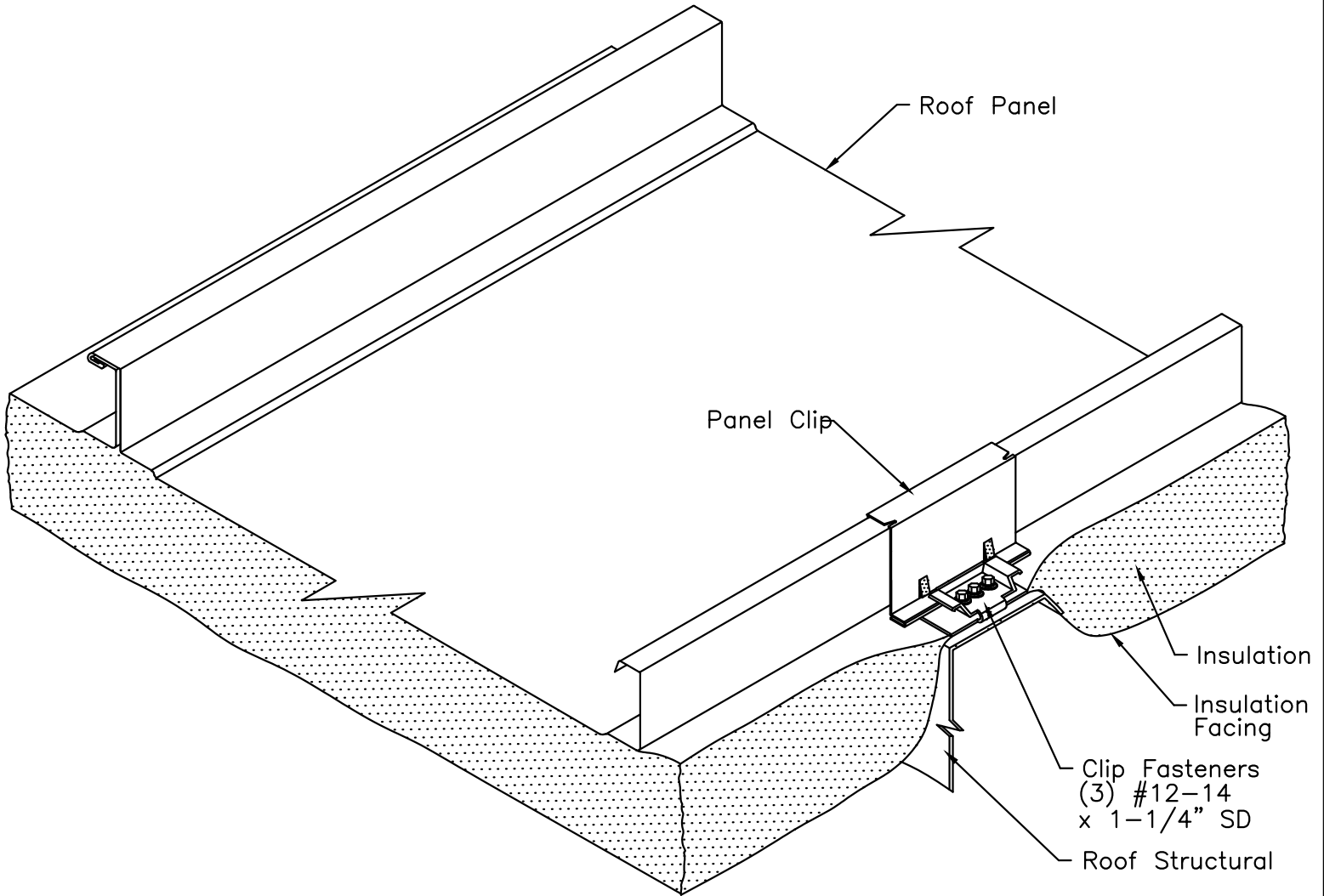


Roof Panel Seam Section



2812 Tallevast Road • Sarasota, Florida 34243
Phone: 941-755-7073 • Fax: 941-755-3067

Sur-Lok 360 Plus™ Roof System Architectural Details (HVHZ)



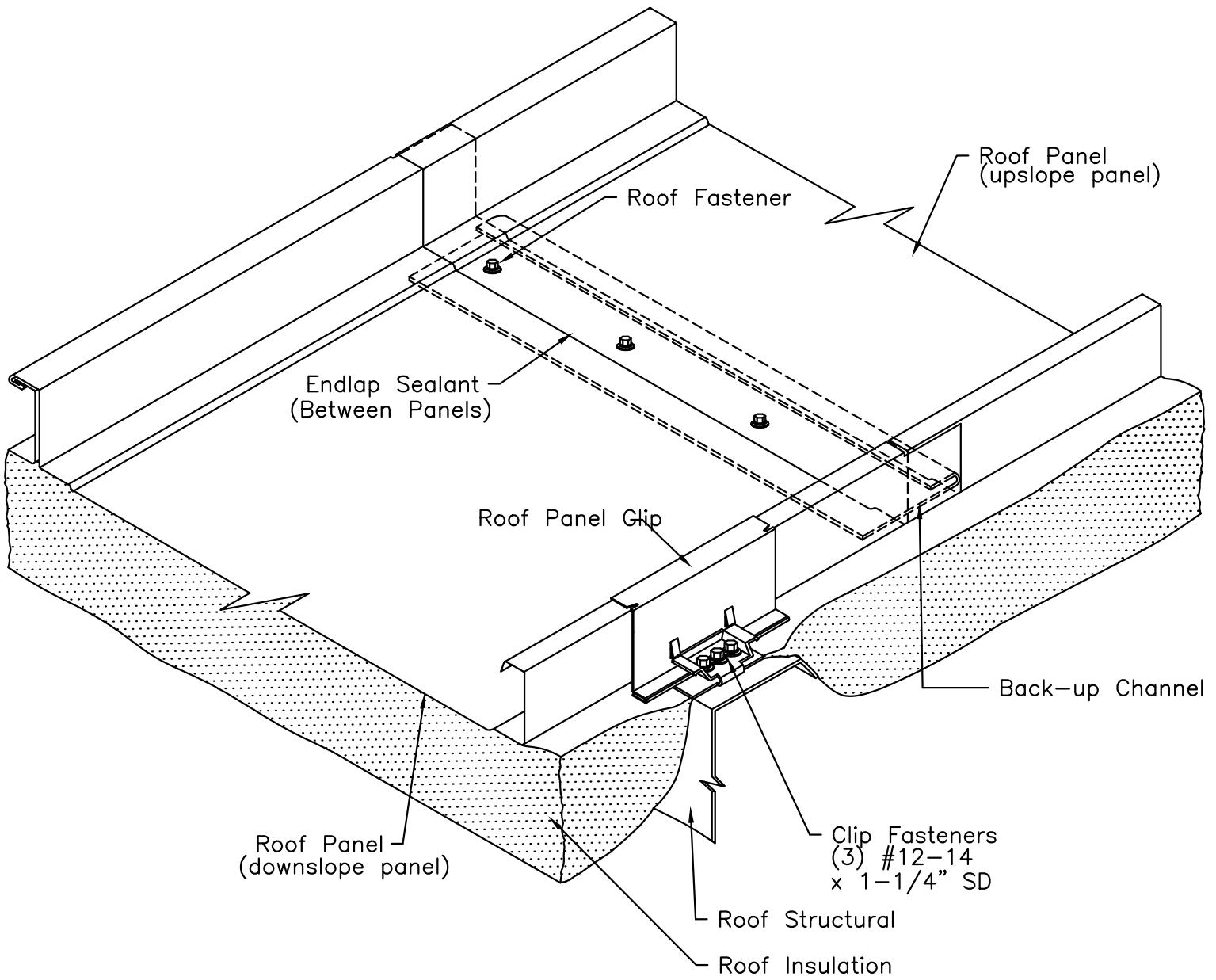
For 3/8" Stand-off
Floating Roof

Roof Panel Clip Details



2812 Tallevast Road • Sarasota, Florida 34243
Phone: 941-755-7073 • Fax: 941-755-3067

Sur-Lok 360 Plus™ Roof System Architectural Details (HVHZ)

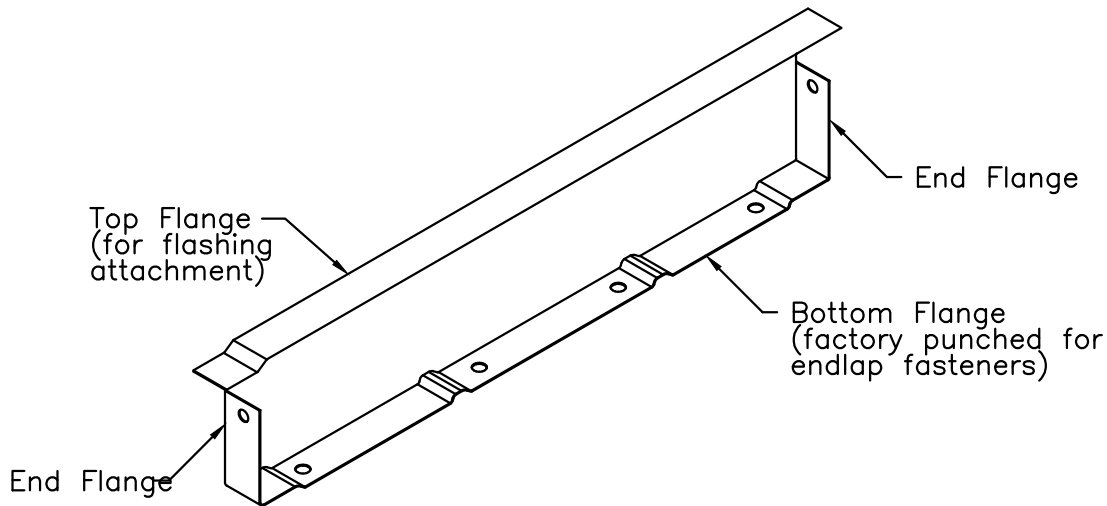
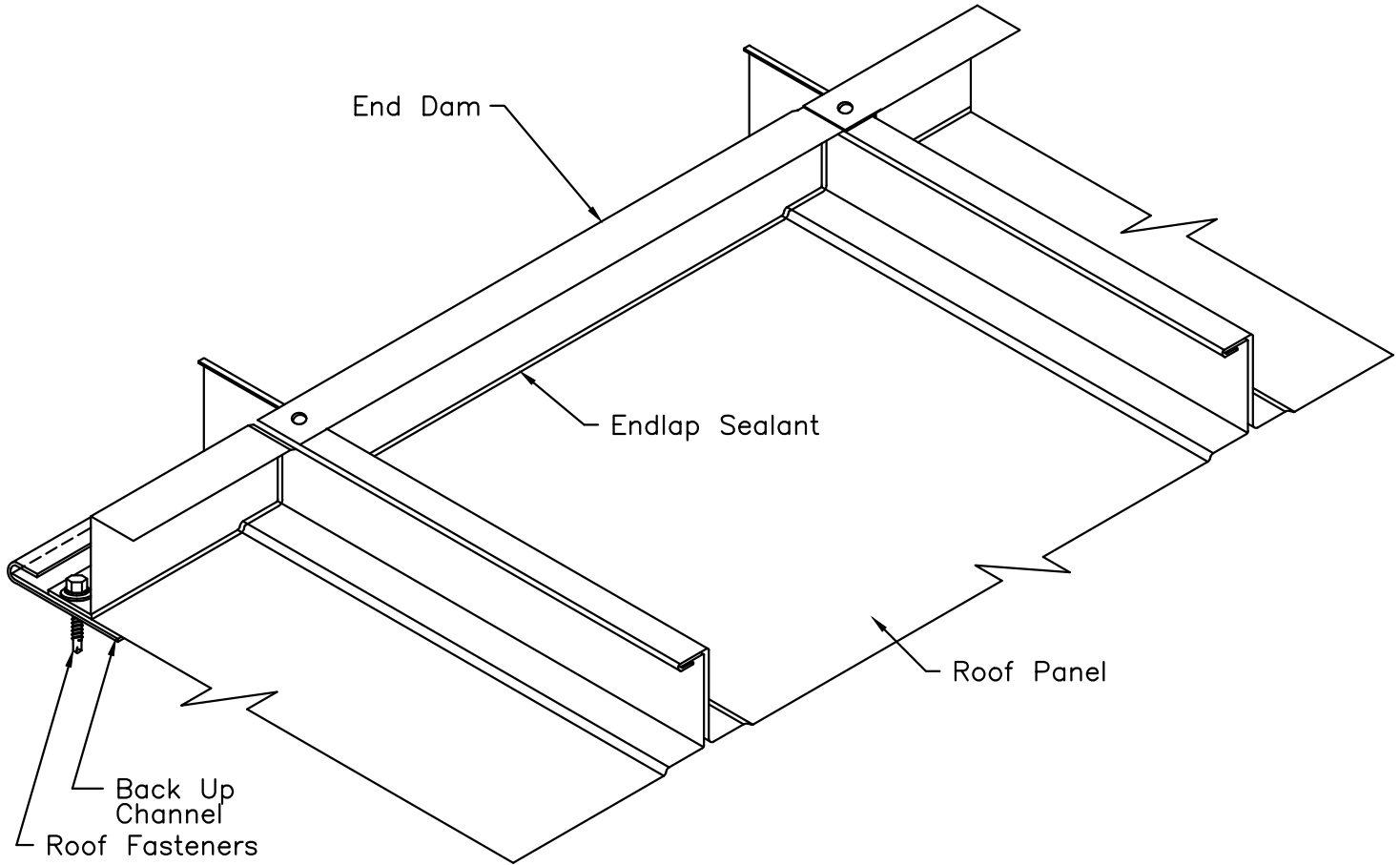


Roof Panel Endlap Details



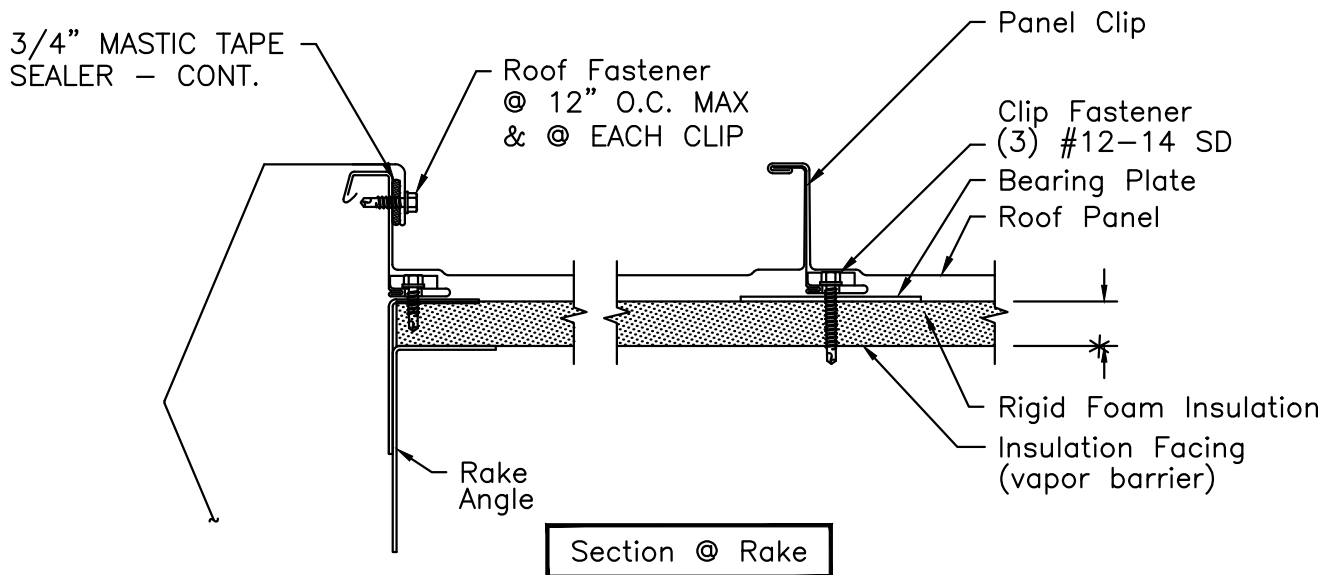
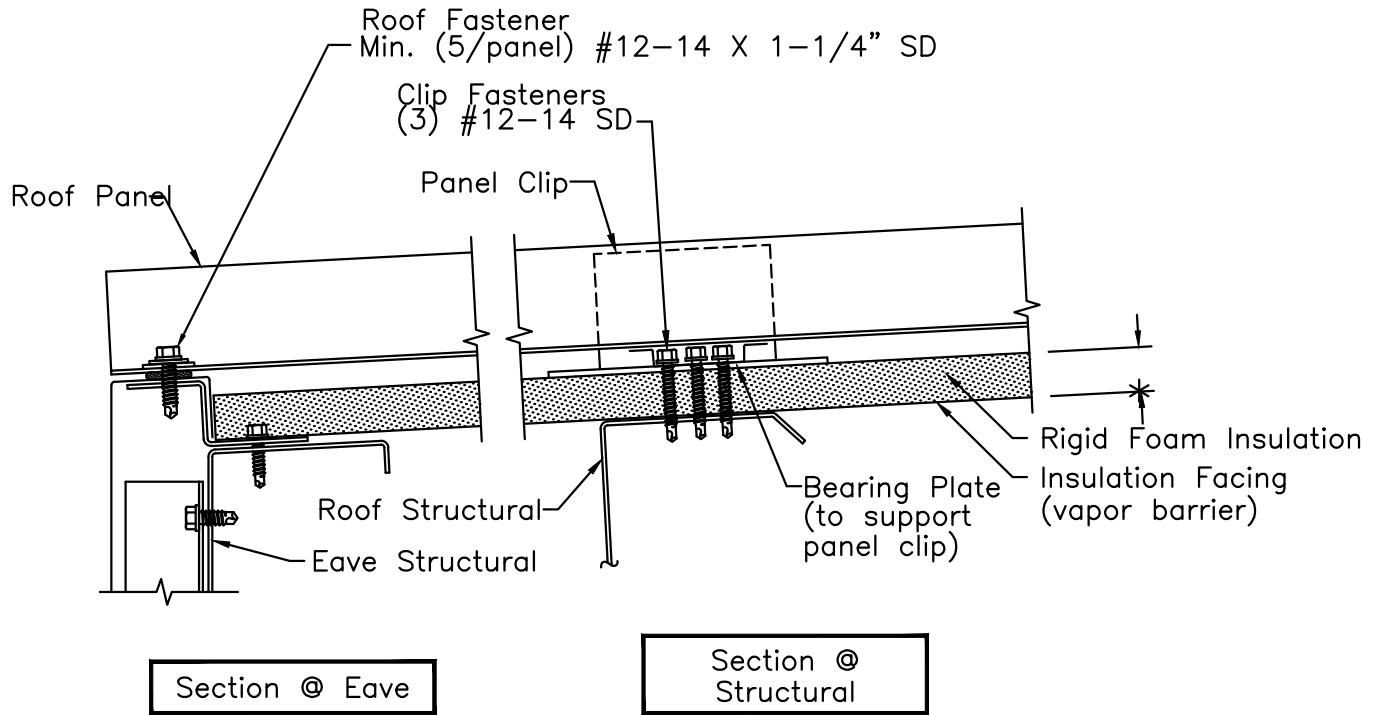
2812 Tallevast Road • Sarasota, Florida 34243
Phone: 941-755-7073 • Fax: 941-755-3067

Sur-Lok 360 Plus™ Roof System Architectural Details (HVHZ)



End Dam - Inside View

Roof Panel End Dam Details

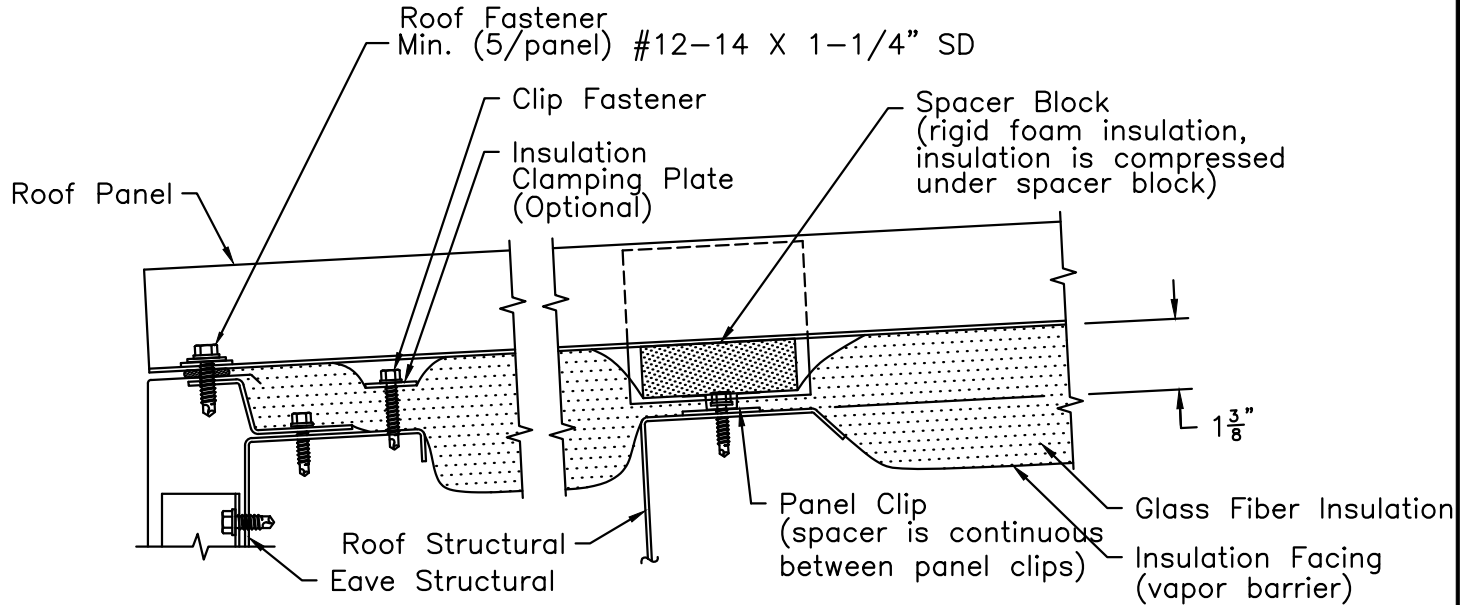


Note
* Rigid Foam Insulation Thickness = 1" To 4".



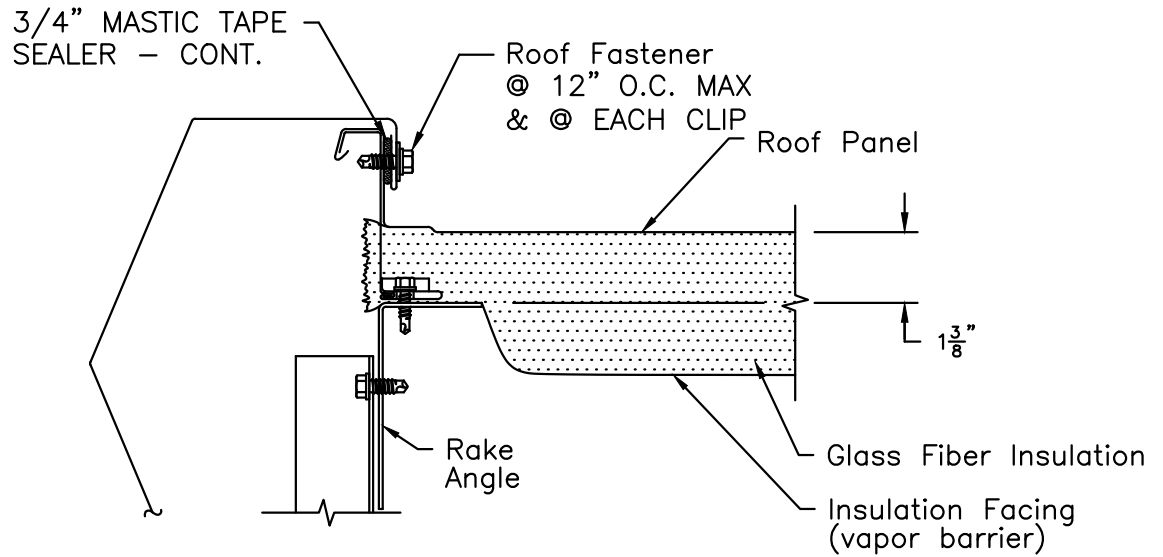
2812 Tallevast Road • Sarasota, Florida 34243
Phone: 941-755-7073 • Fax: 941-755-3067

Sur-Lok 360 Plus™ Roof System Architectural Details (HVHZ)



Section @ Eave

Section @ Structural



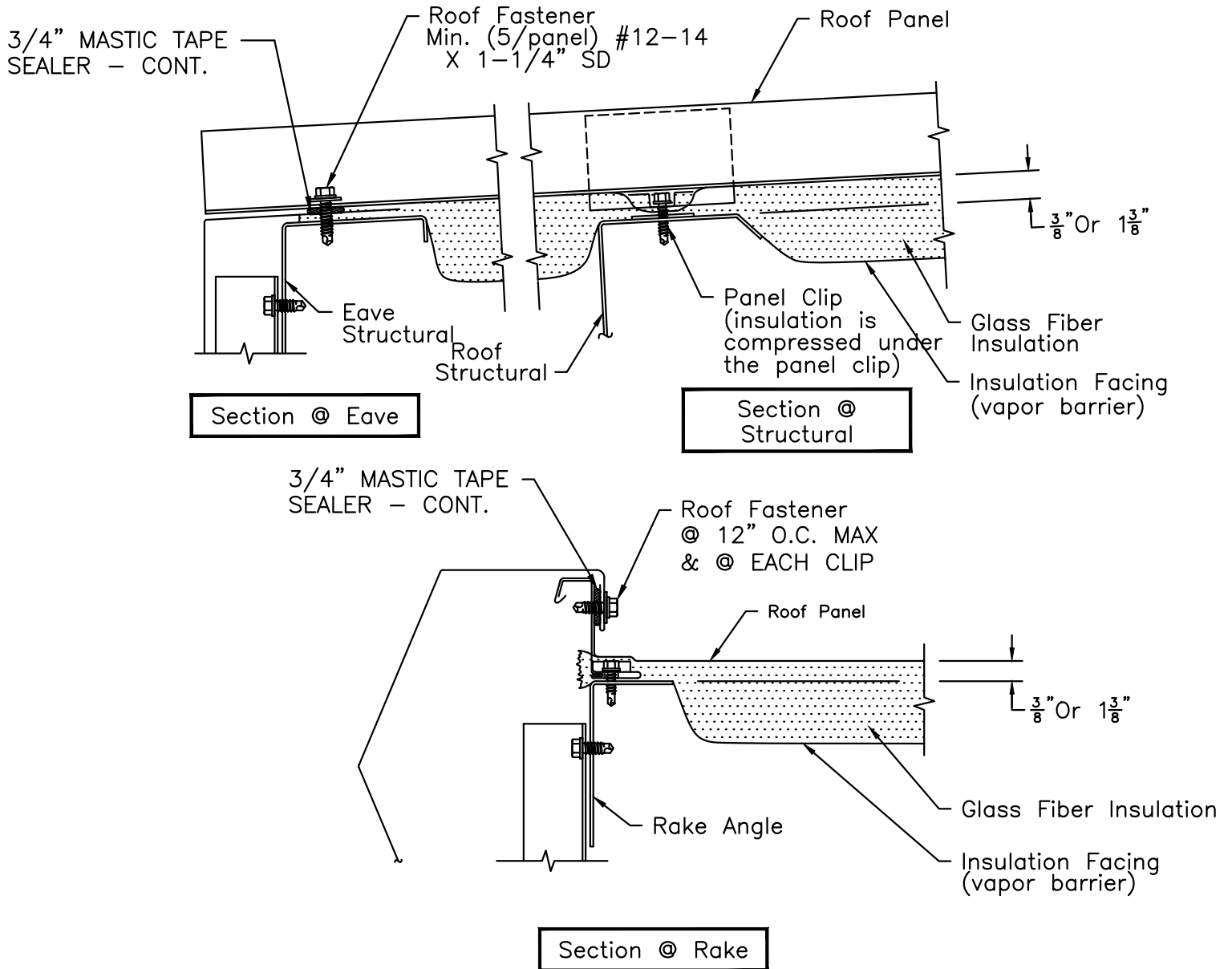
Section @ Rake

Insulation Note
1" Spacer Is Recommended For Up To 4" Thick Insulation. 1/2" Spacer Is Recommended For 4" To 6" Thick Insulation.



2812 Tallevast Road • Sarasota, Florida 34243
Phone: 941-755-7073 • Fax: 941-755-3067

Sur-Lok 360 Plus™ Roof System Architectural Details (HVHZ)

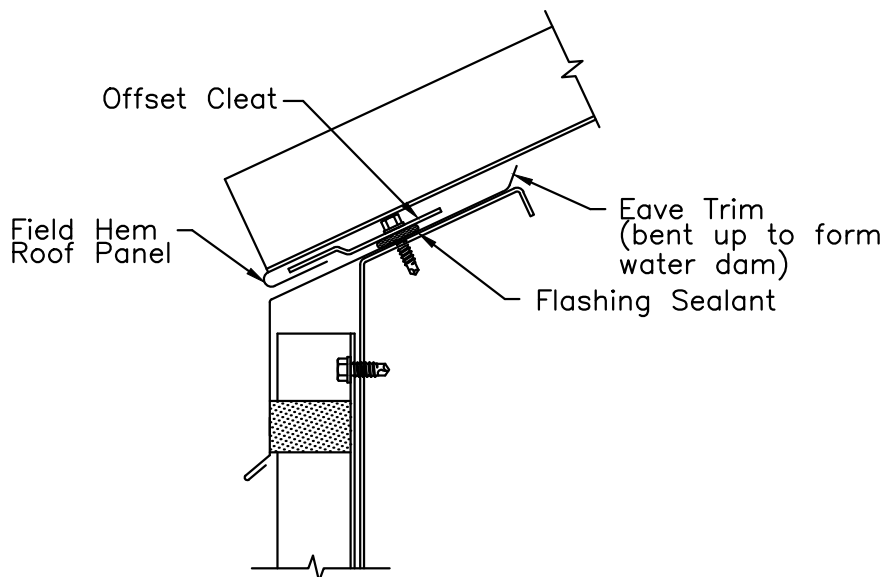
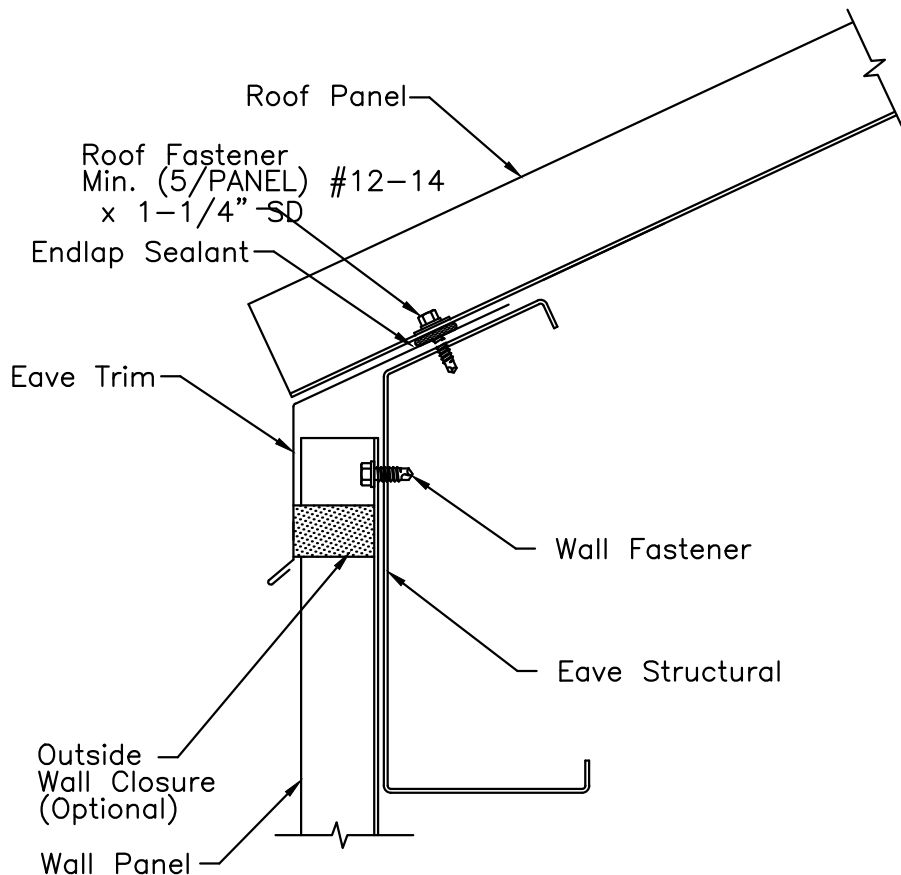


Insulation Note
 3/8" Standoff Is Recommended For Up To 4" Thick Insulation.
 1 3/8" Standoff Is Recommended For 4" To 6" Thick Insulation.



2812 Tallevast Road • Sarasota, Florida 34243
Phone: 941-755-7073 • Fax: 941-755-3067

Sur-Lok 360 Plus™ Roof System Architectural Details (HVHZ)



Alternate Field Hemmed Roof Panel (Requires Fixed Attachment Of The Roof Panel At The Ridge Or High Eave)

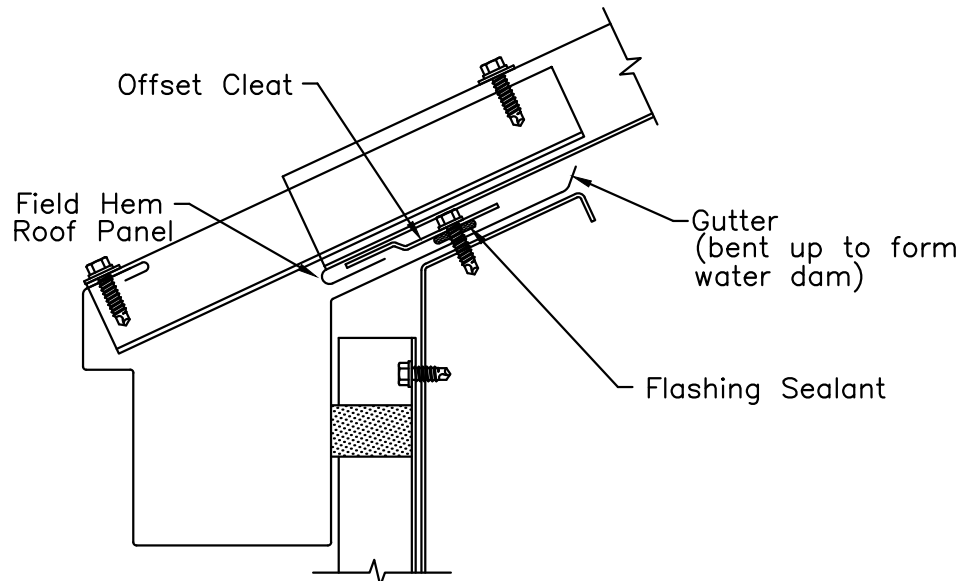
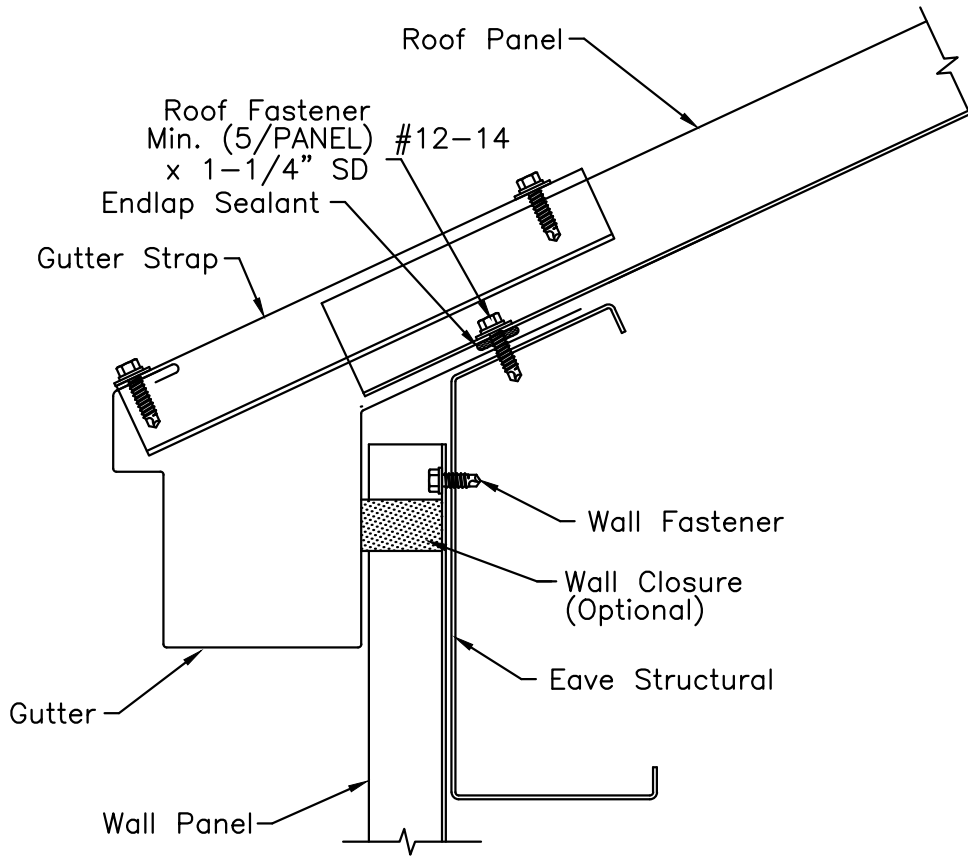
Architectural

Eave Section – Eave Trim



2812 Tallevast Road • Sarasota, Florida 34243
Phone: 941-755-7073 • Fax: 941-755-3067

Sur-Lok 360 Plus™ Roof System Architectural Details (HVHZ)



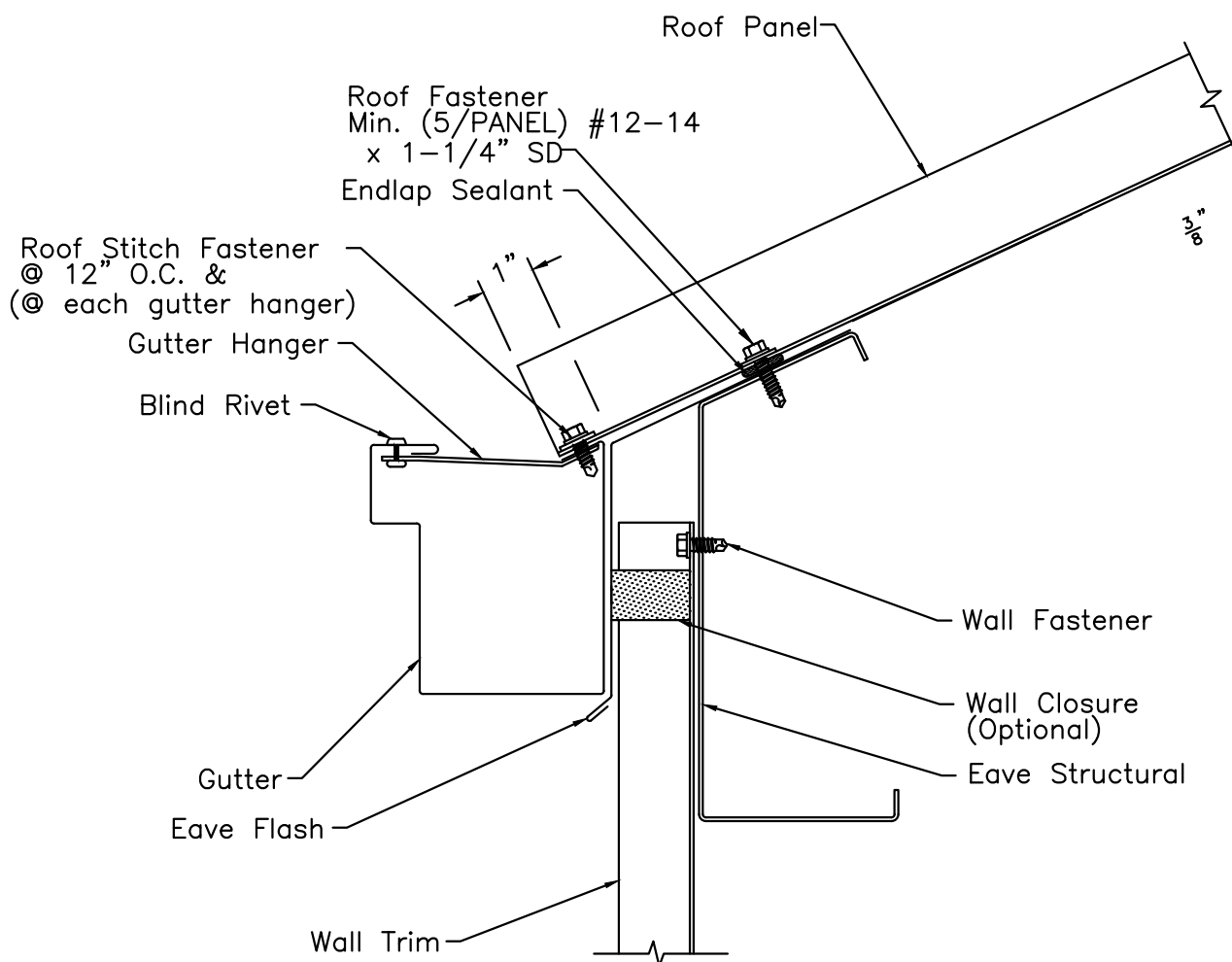
Alternate
Field Hemmed Roof Panel
(Requires Fixed Attachment
Of The Roof Panel At The
Ridge Or High Eave)

Architectural

Eave Section – Eave Gutter



2812 Tallevast Road • Sarasota, Florida 34243
Phone: 941-755-7073 • Fax: 941-755-3067



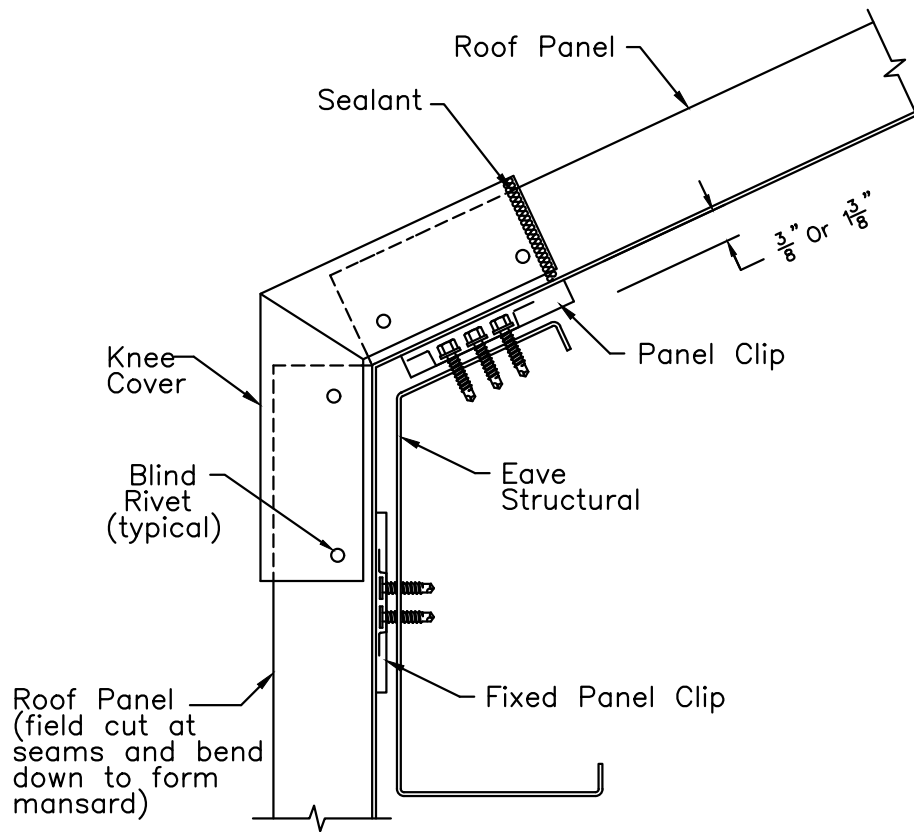
Architectural

Eave Section – Surface Mounted Gutter



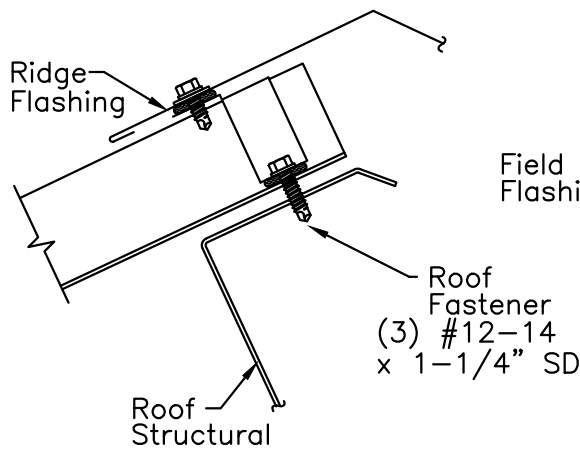
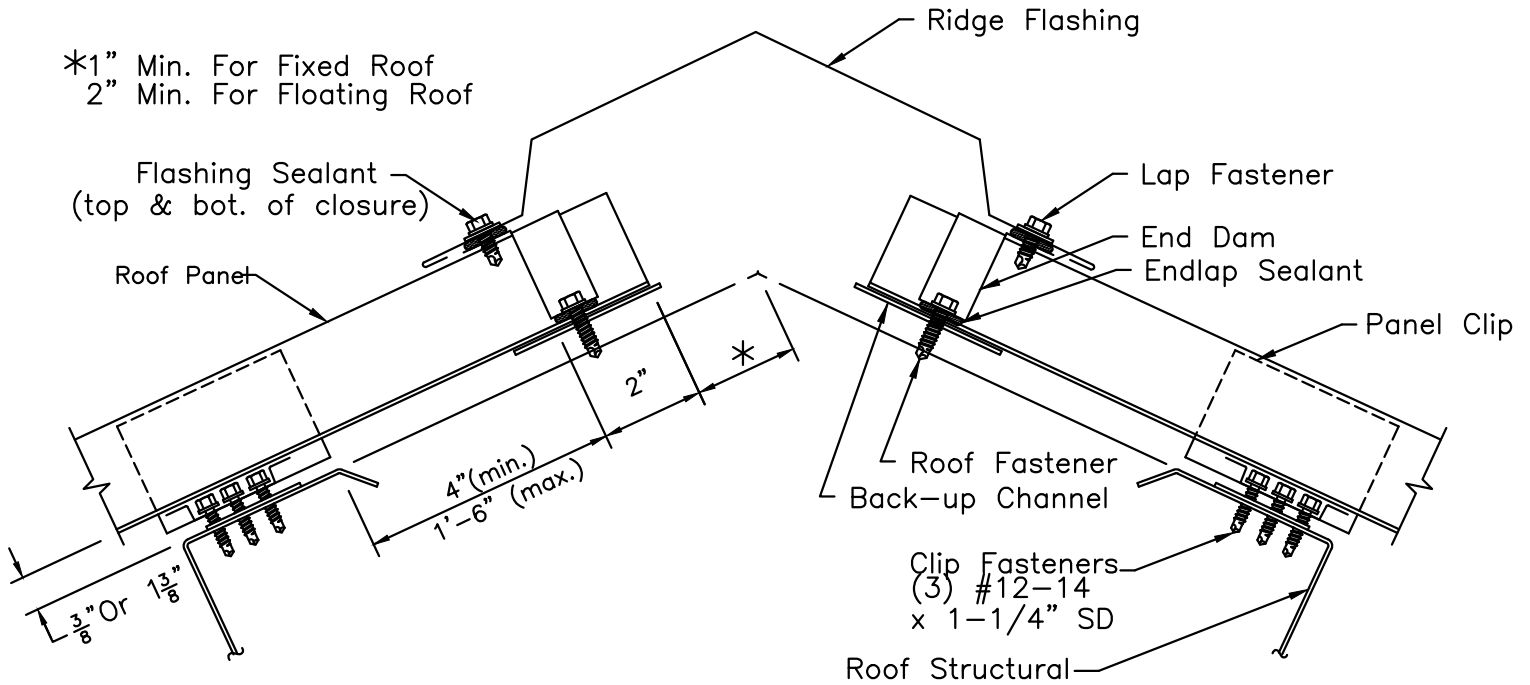
2812 Tallevast Road • Sarasota, Florida 34243
Phone: 941-755-7073 • Fax: 941-755-3067

Sur-Lok 360 Plus™ Roof System Architectural Details (HVHZ)

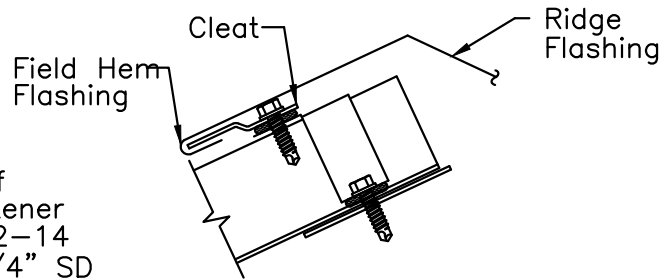


Architectural

Mansard Section



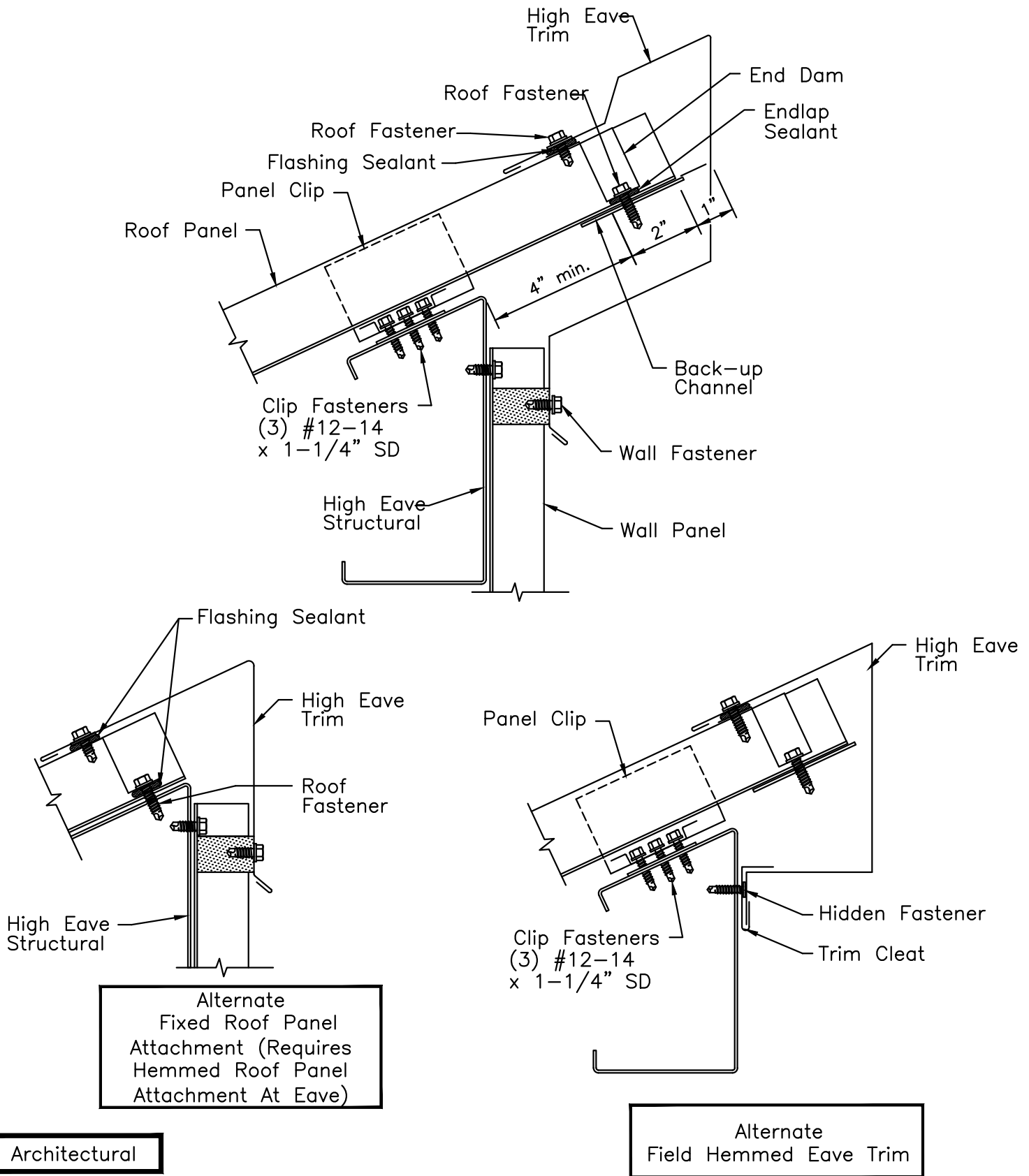
Alternate Fixed Roof Panel Attachment (Requires Hemmed Roof Panel Attachment At Eave)



Alternate Field Hemmed Ridge Flashing

Architectural

Ridge Section



Architectural

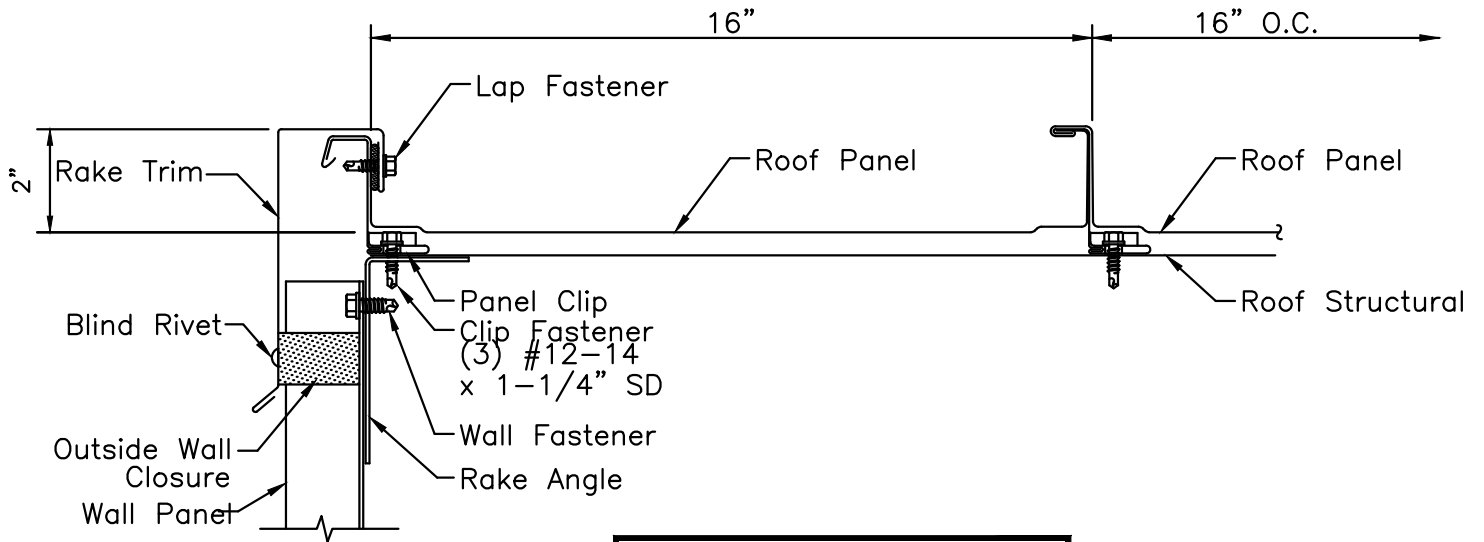
Alternate Field Hemmed Eave Trim

High Eave Section



2812 Tallevast Road • Sarasota, Florida 34243
Phone: 941-755-7073 • Fax: 941-755-3067

Sur-Lok 360 Plus™ Roof System Architectural Details (HVHZ)



**Starting Rake Shown
Finish Rake Similar**

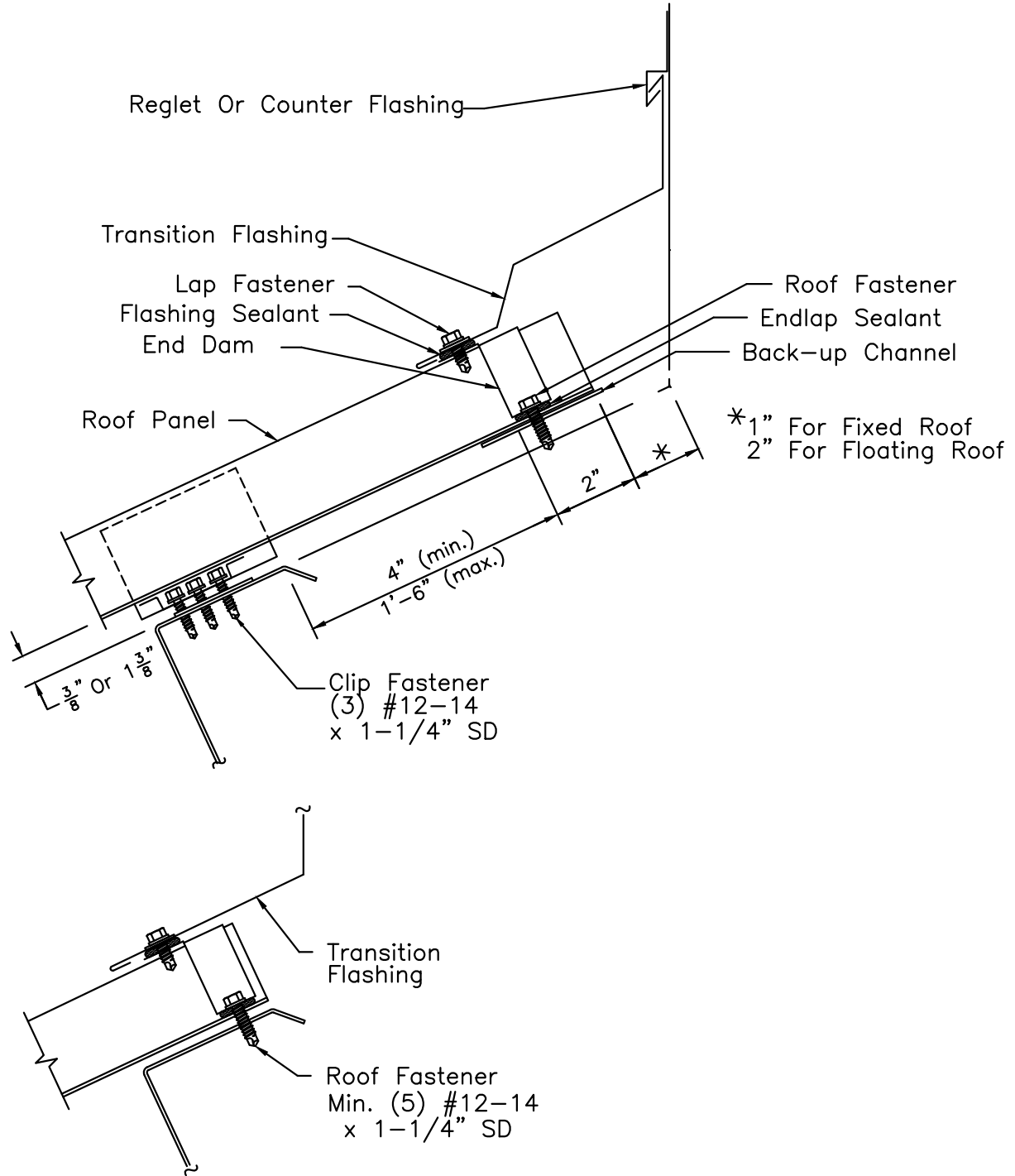
Architectural

Rake Section



2812 Tallevast Road • Sarasota, Florida 34243
Phone: 941-755-7073 • Fax: 941-755-3067

Sur-Lok 360 Plus™ Roof System Architectural Details (HVHZ)



Alternate
Fixed Roof Panel
Attachment (Requires
Hemmed Roof Panel
Attachment @ Eave)

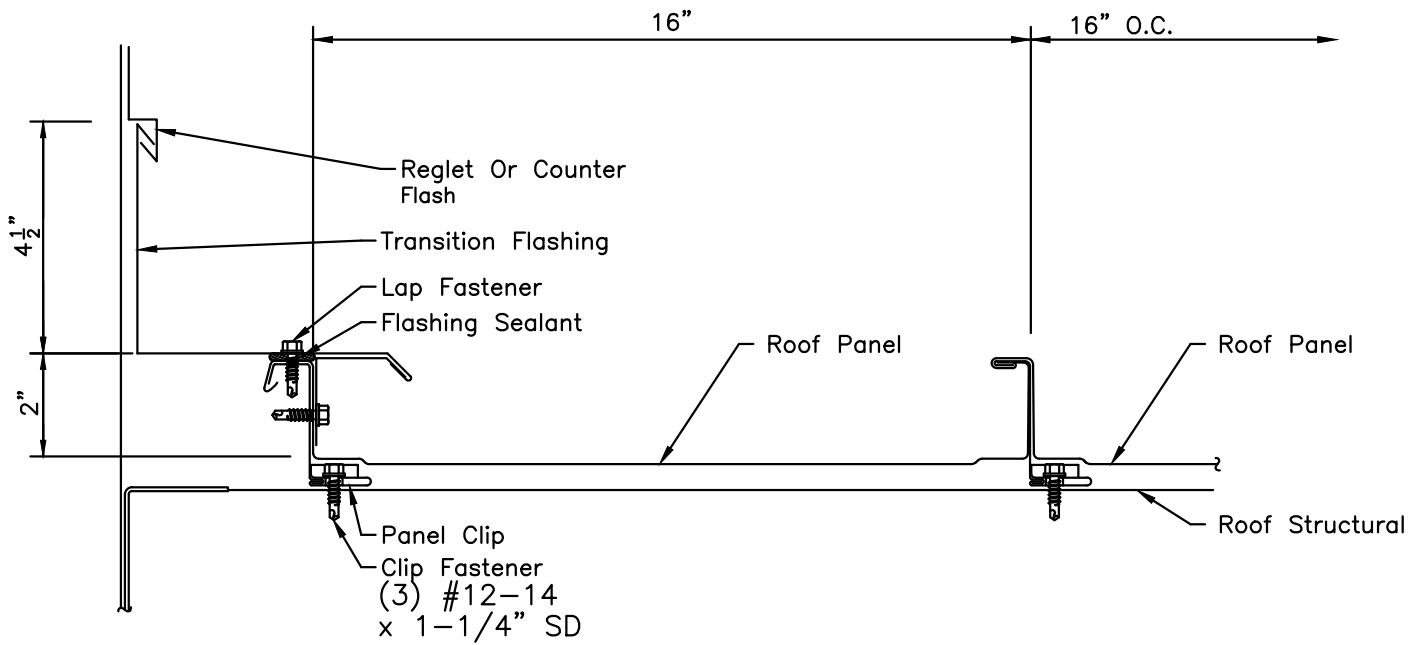
Architectural

Transition Section – High Eave



2812 Tallevast Road • Sarasota, Florida 34243
Phone: 941-755-7073 • Fax: 941-755-3067

Sur-Lok 360 Plus™ Roof System Architectural Details (HVHZ)



**Starting Rake Shown
Finish Rake Similar**

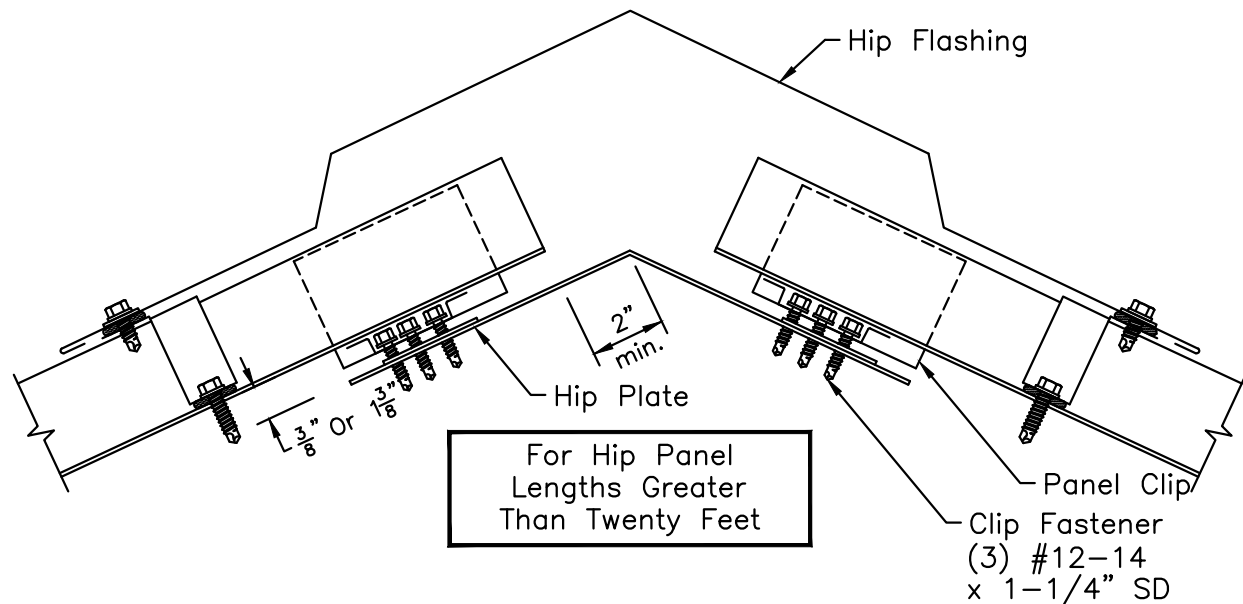
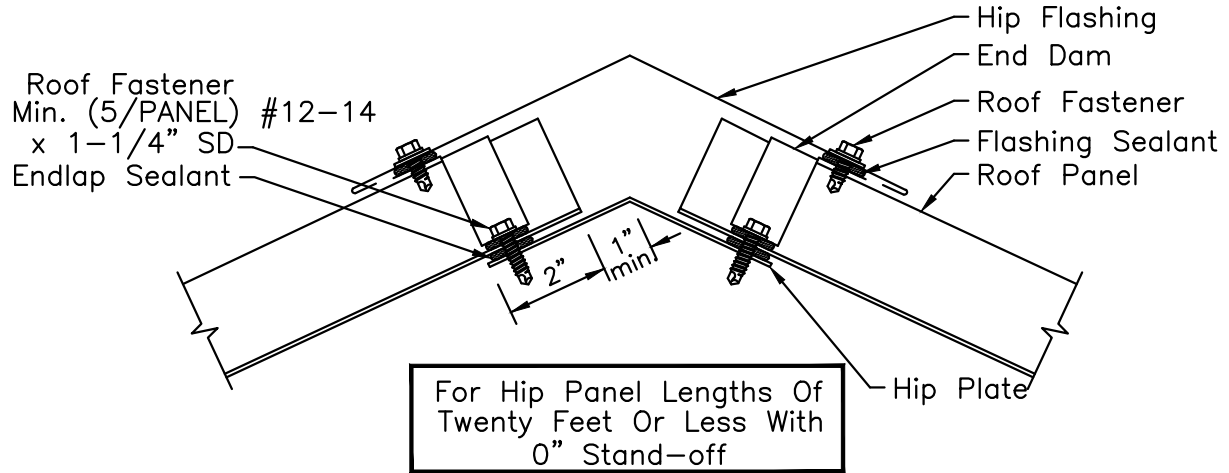
Architectural

Transition Section – Rake



2812 Tallevast Road • Sarasota, Florida 34243
Phone: 941-755-7073 • Fax: 941-755-3067

Sur-Lok 360 Plus™ Roof System Architectural Details (HVHZ)



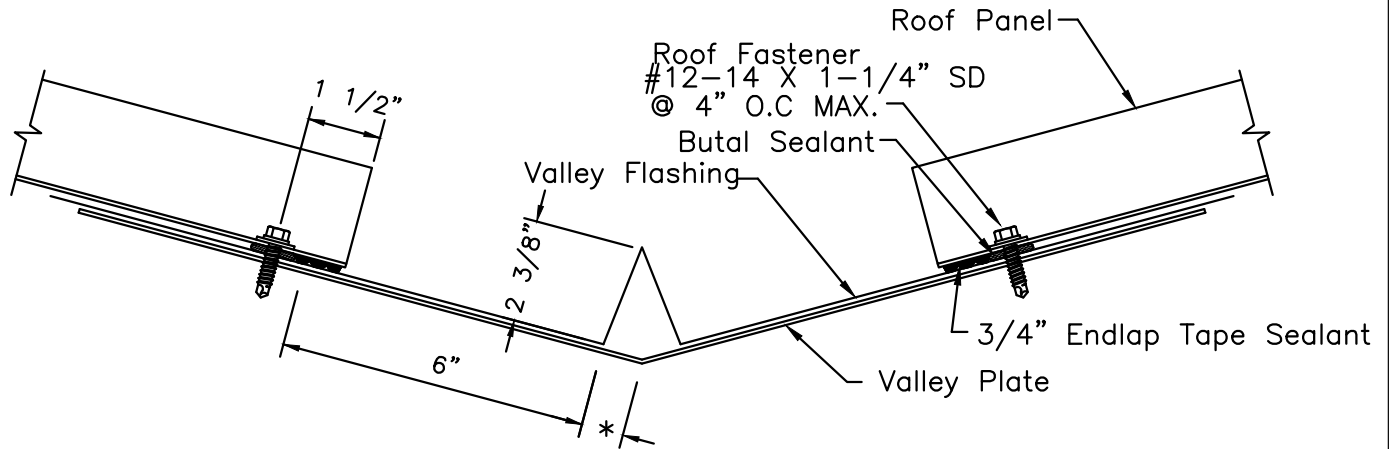
Architectural

Hip Section



2812 Tallevast Road • Sarasota, Florida 34243
Phone: 941-755-7073 • Fax: 941-755-3067

Sur-Lok 360 Plus™ Roof System Architectural Details (HVHZ)



**Varies With Roof Pitch*

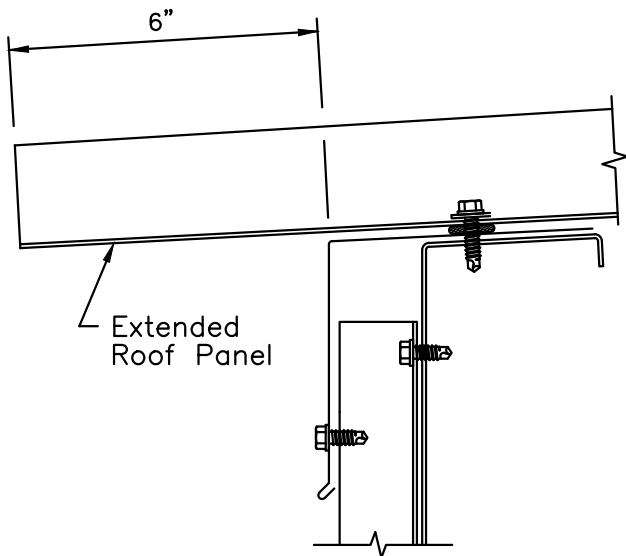
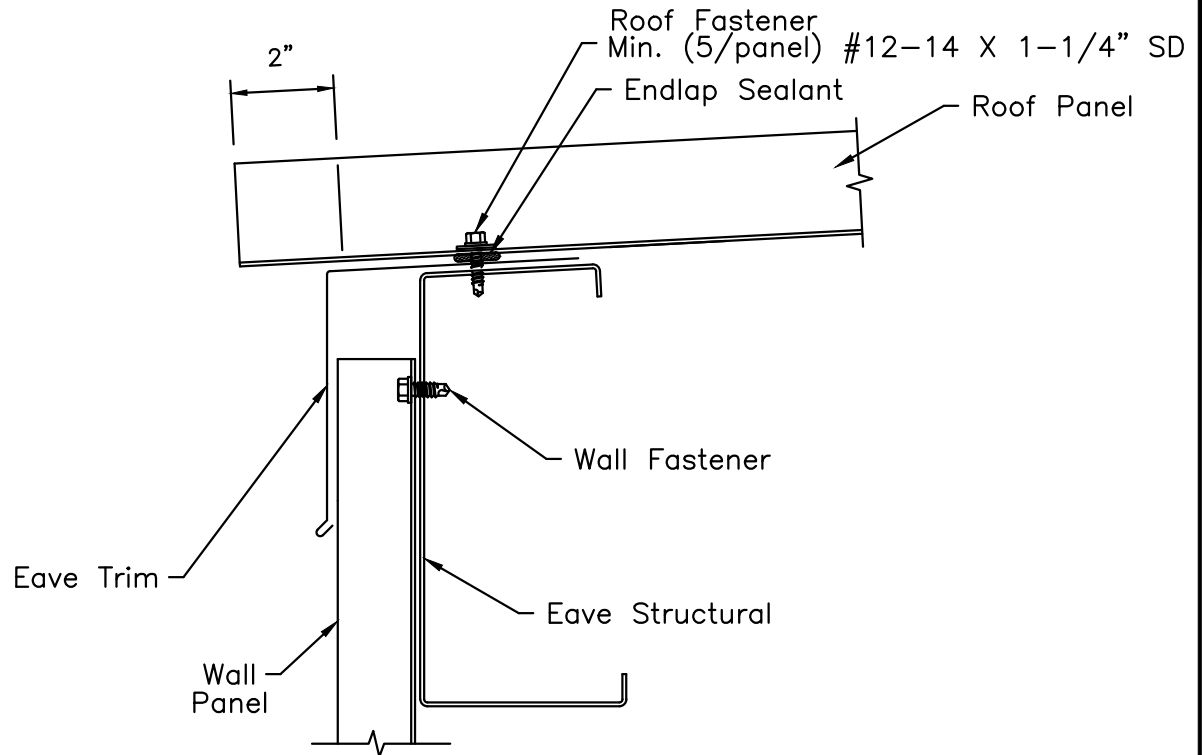
Architectural

Valley Section

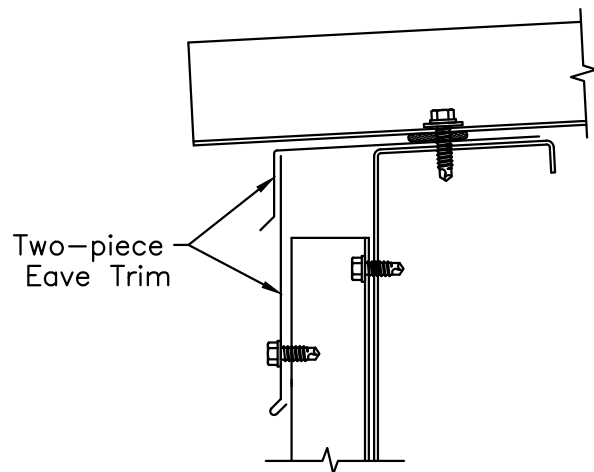


2812 Tallevast Road • Sarasota, Florida 34243
Phone: 941-755-7073 • Fax: 941-755-3067

Sur-Lok 360 Plus™ Roof System Architectural Details (HVHZ)



Alternate
Extended Roof
(For Heavy Snow And Ice Areas)



Alternate
Two Part Eave Trim
(To Allow Installation Of
Wall Panel After Roof Is
In Place)

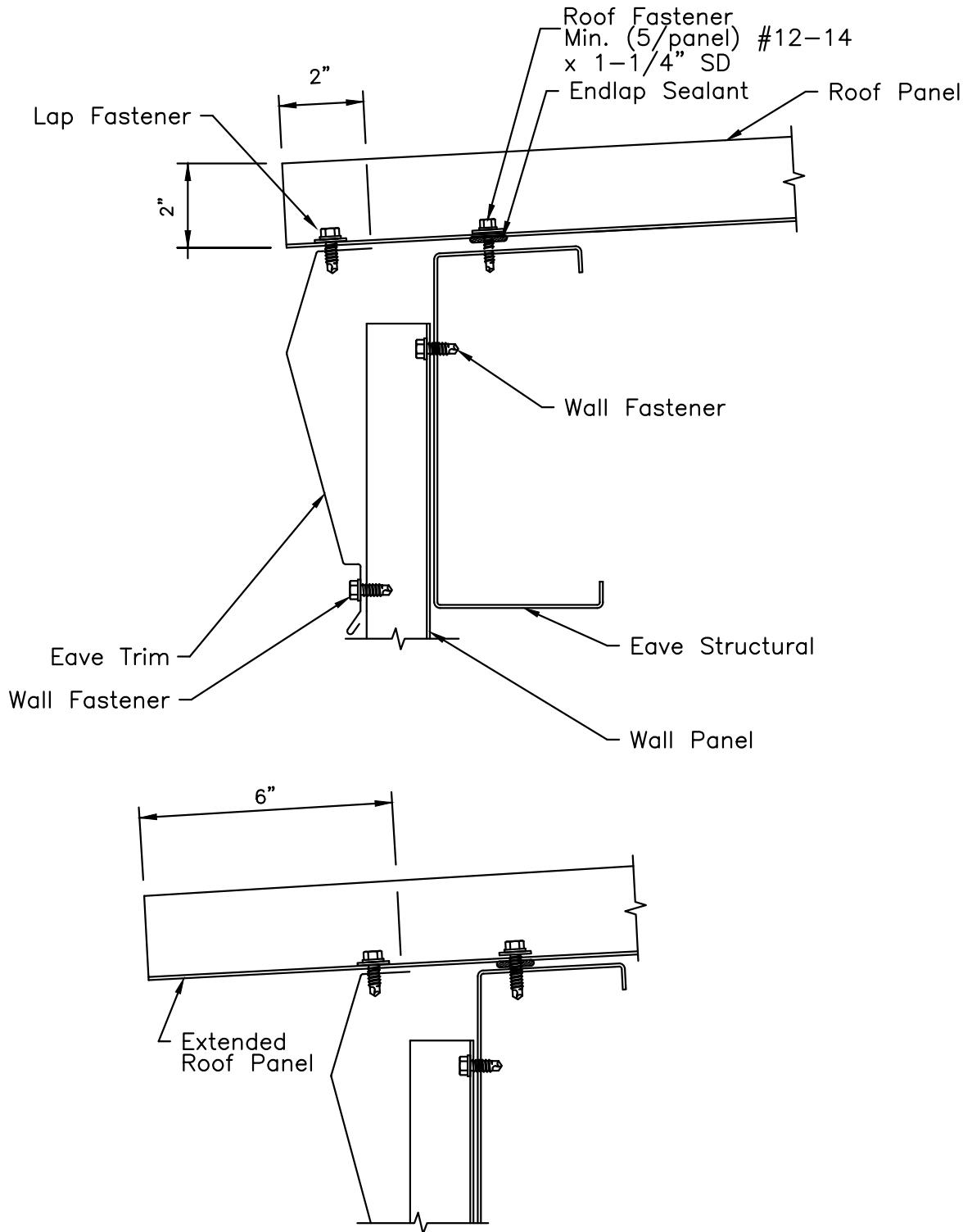
Functional

Eave Section – Eave Trim



2812 Tallevast Road • Sarasota, Florida 34243
Phone: 941-755-7073 • Fax: 941-755-3067

Sur-Lok 360 Plus™ Roof System Architectural Details (HVHZ)



Alternate
Extended Roof
(For Heavy Snow & Ice Areas)

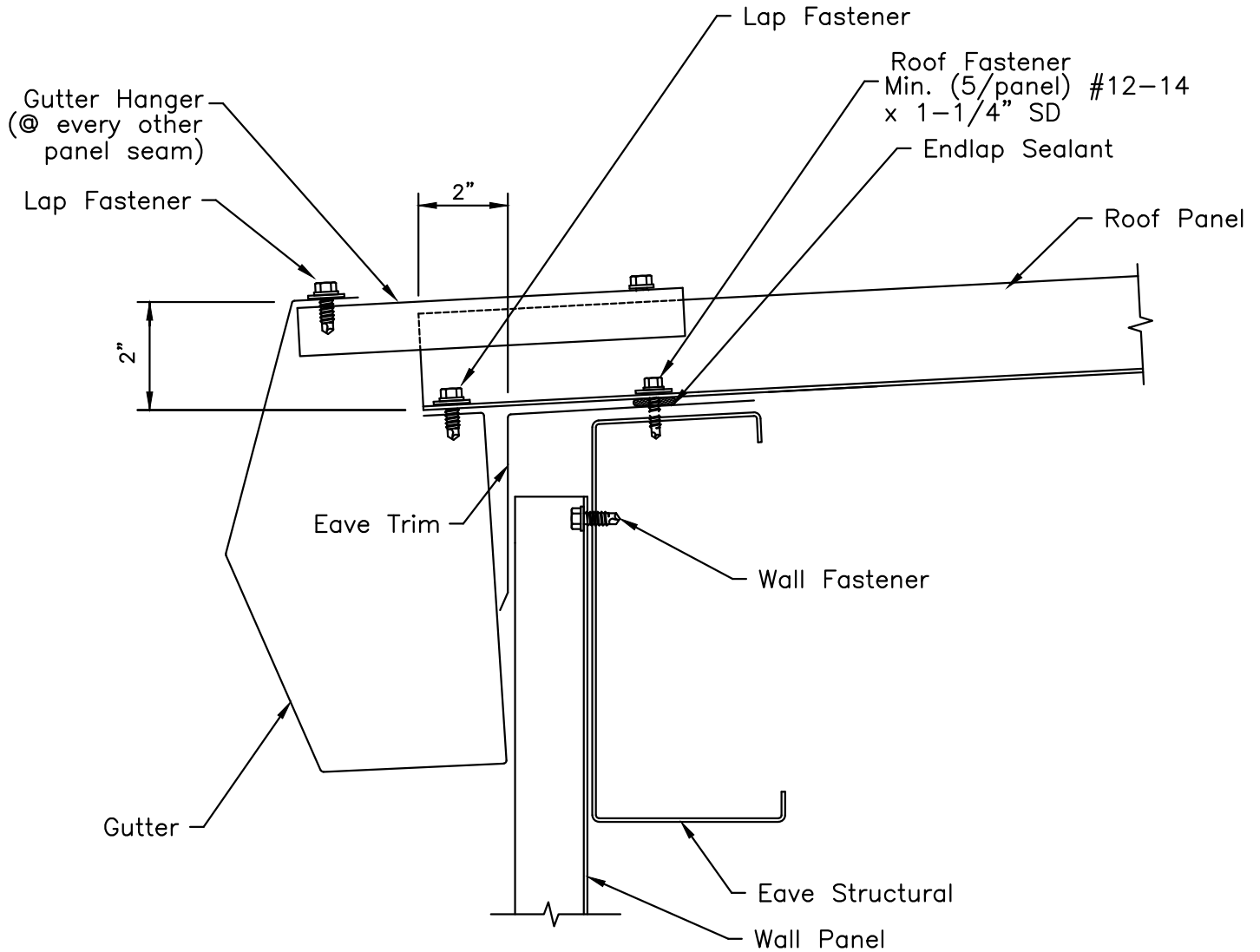
Functional

Eave Section — Sculptured Eave Trim



2812 Tallevast Road • Sarasota, Florida 34243
Phone: 941-755-7073 • Fax: 941-755-3067

Sur-Lok 360 Plus™ Roof System Architectural Details (HVHZ)



Functional

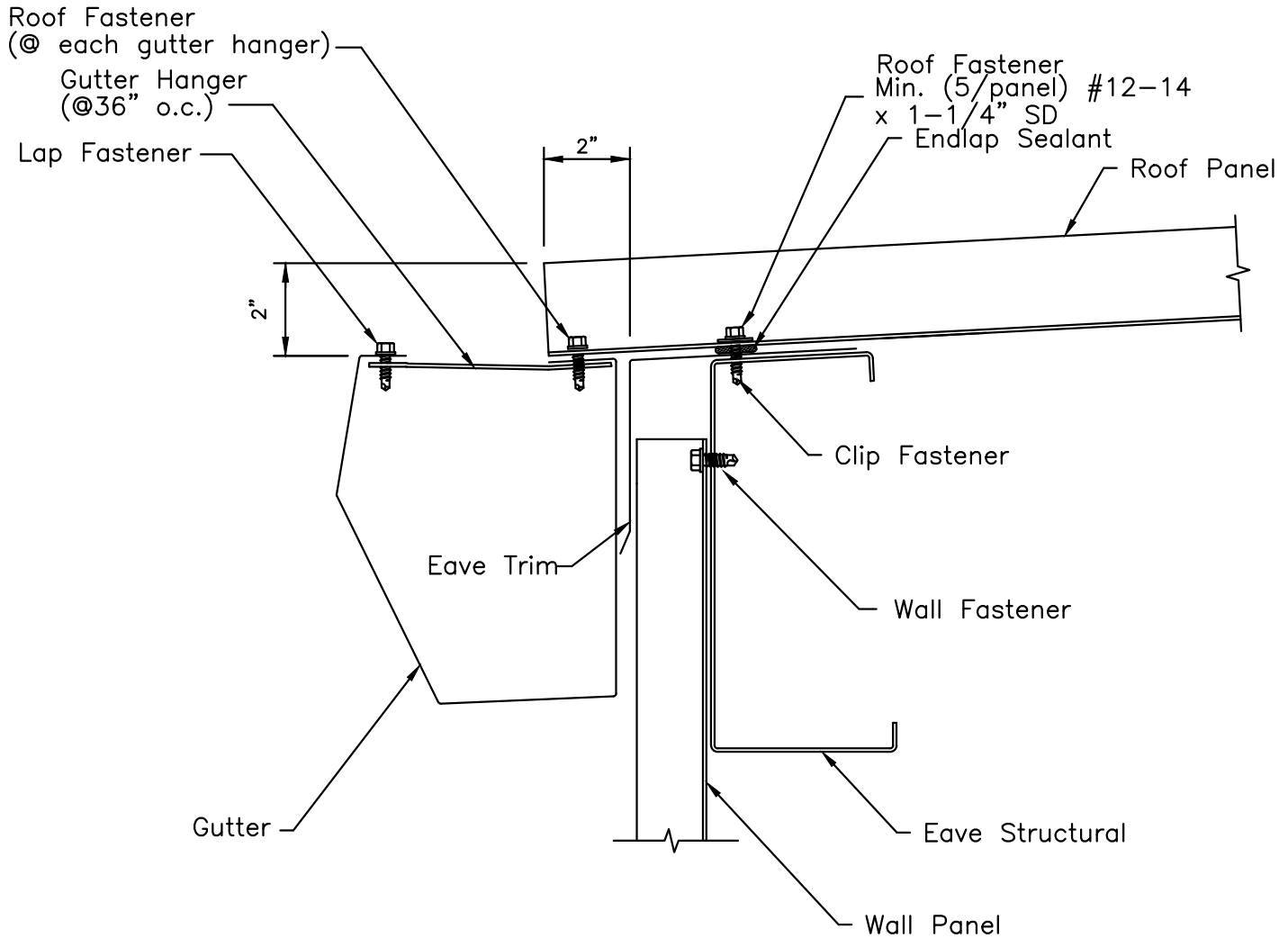
CAUTION
Gutter Is Not Recommended
For Areas That Experience Snow,
Ice, Extreme Rainfall Or Damming Conditions

Eave Section – Eave Gutter



2812 Tallevast Road • Sarasota, Florida 34243
Phone: 941-755-7073 • Fax: 941-755-3067

Sur-Lok 360 Plus™ Roof System Architectural Details (HVHZ)



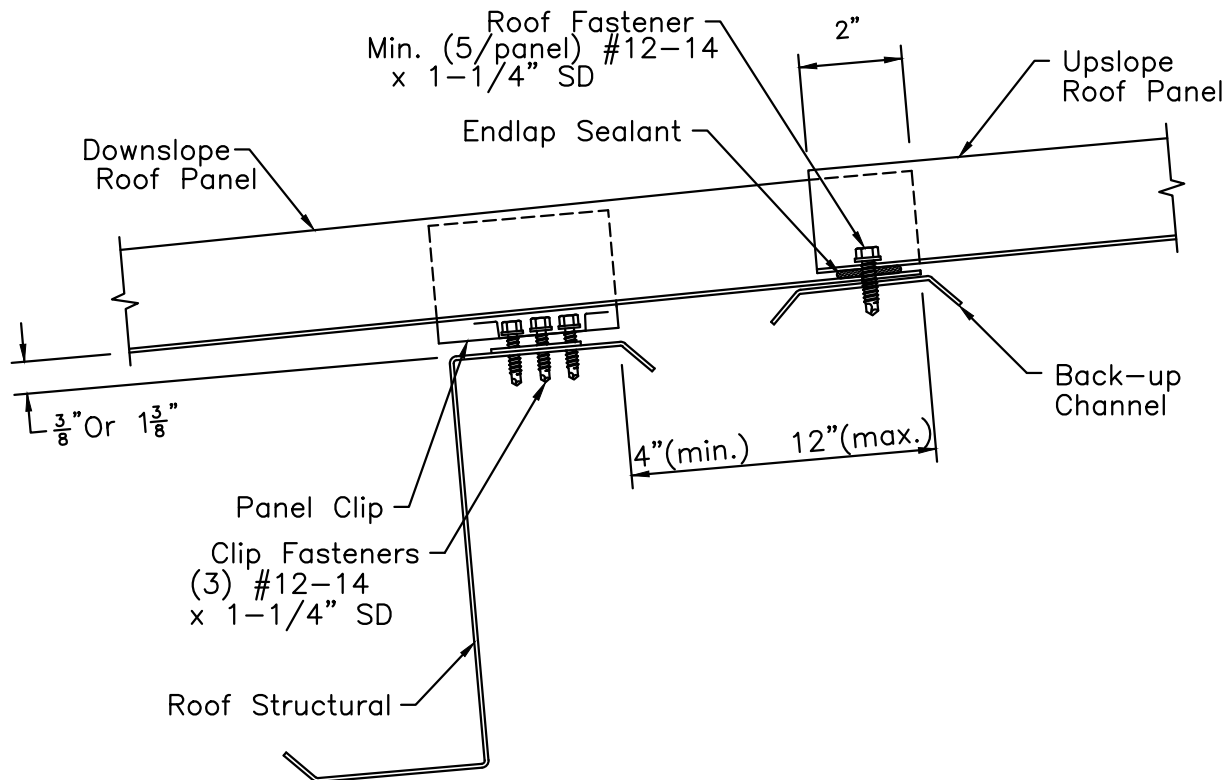
Functional

Eave Section – Surface Mounted Gutter



2812 Tallevast Road • Sarasota, Florida 34243
Phone: 941-755-7073 • Fax: 941-755-3067

Sur-Lok 360 Plus™ Roof System Architectural Details (HVHZ)



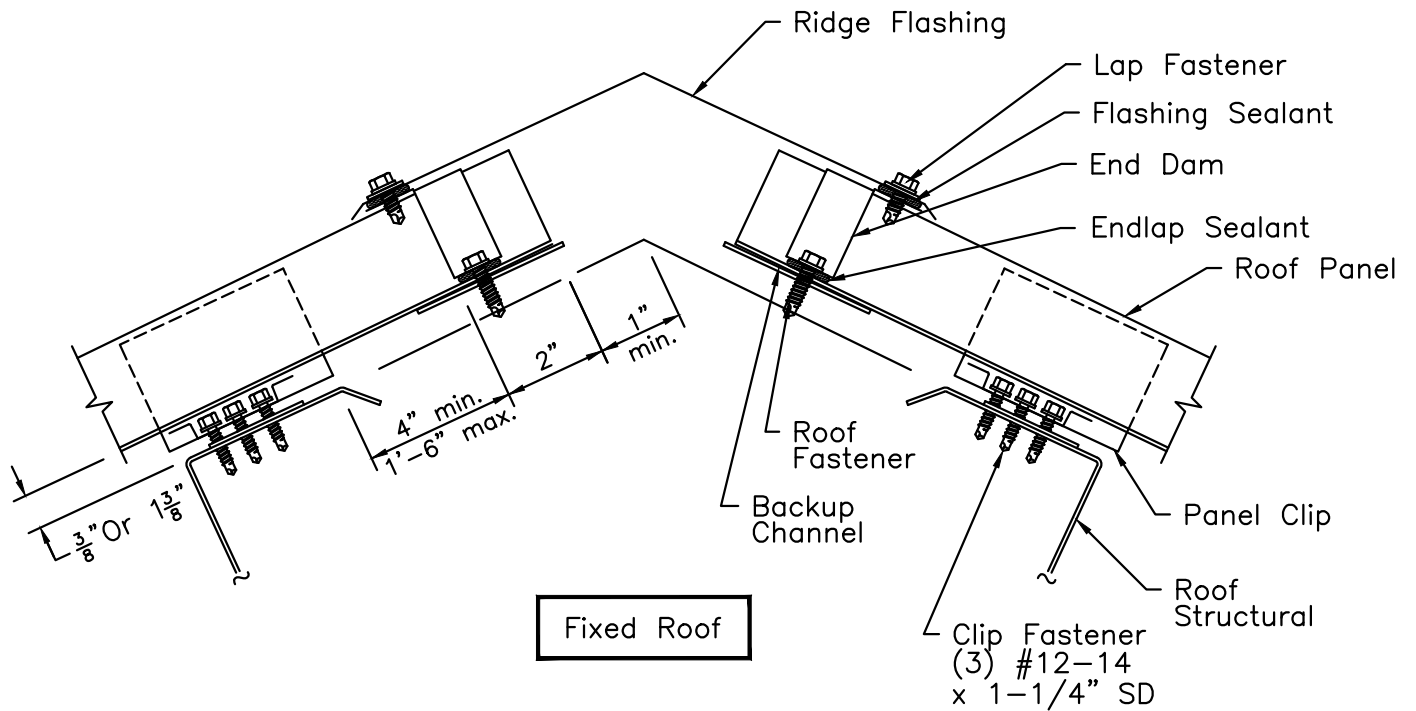
Functional

Roof Panel Endlap Section

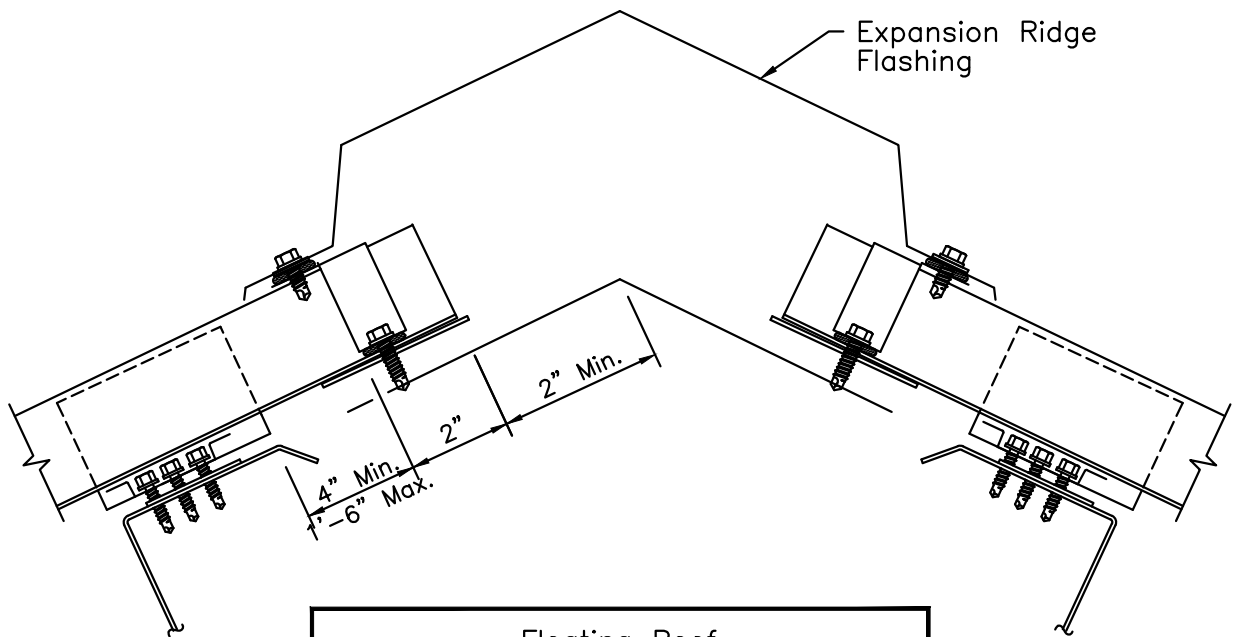


2812 Tallevast Road • Sarasota, Florida 34243
 Phone: 941-755-7073 • Fax: 941-755-3067

Sur-Lok 360 Plus™ Roof System Architectural Details (HVHZ)



Fixed Roof



Floating Roof
 Expansion Ridge Flashing
 (Accommodates Roof Panel Expansion
 Movements Required When Roof Run
 Exceeds 50')

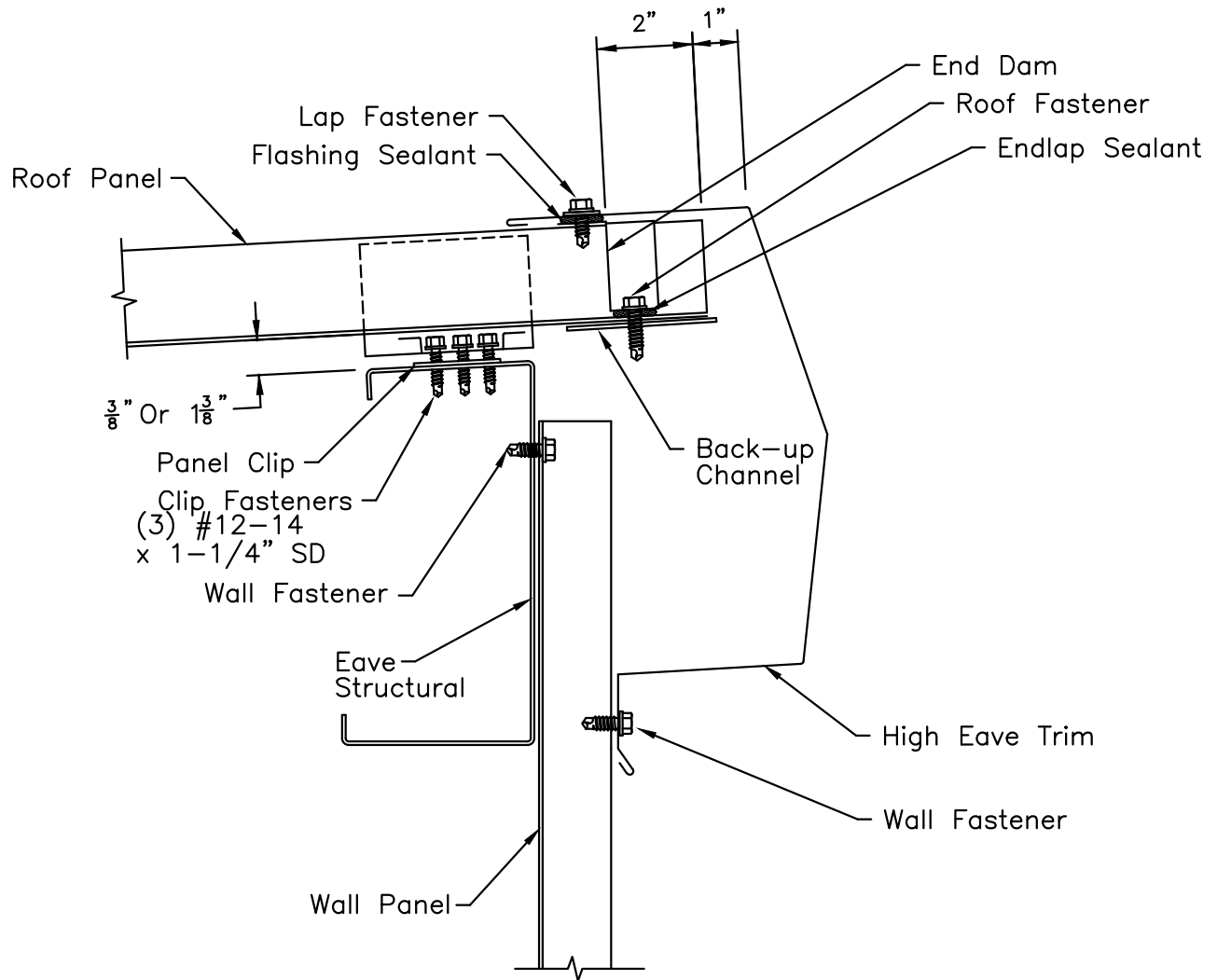
Functional

Ridge Section



2812 Tallevast Road • Sarasota, Florida 34243
Phone: 941-755-7073 • Fax: 941-755-3067

Sur-Lok 360 Plus™ Roof System Architectural Details (HVHZ)



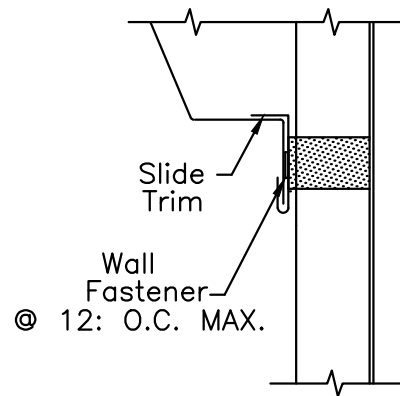
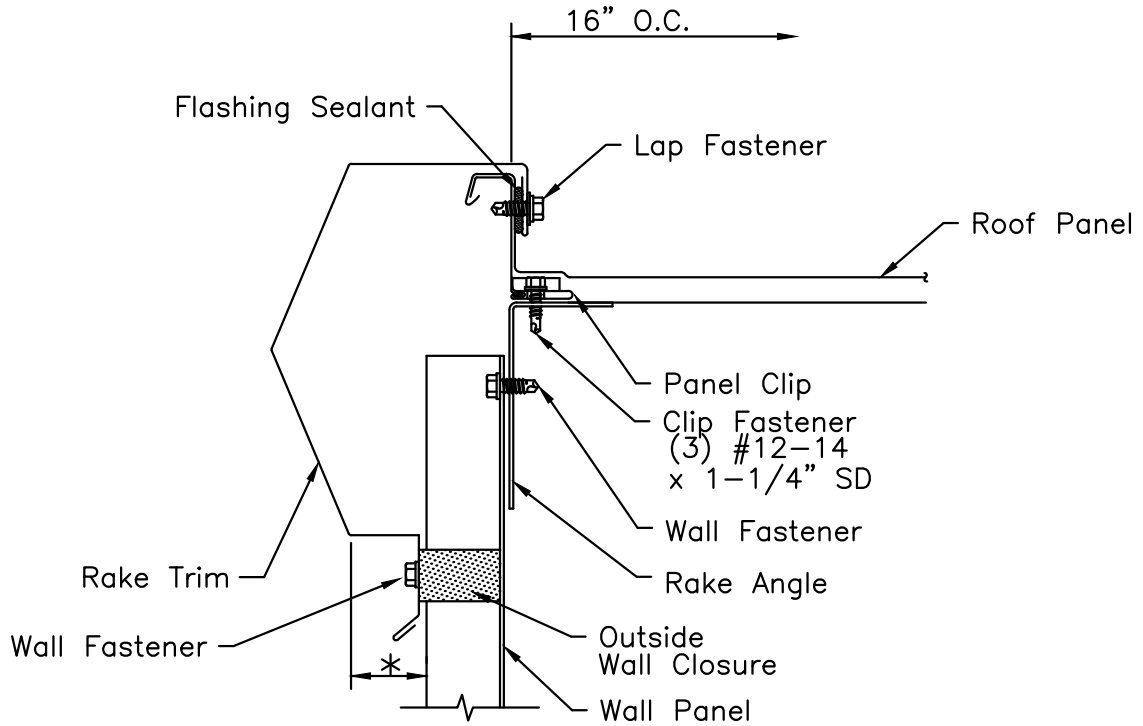
Functional

High Eave Section



2812 Tallevast Road • Sarasota, Florida 34243
 Phone: 941-755-7073 • Fax: 941-755-3067

Sur-Lok 360 Plus™ Roof System Architectural Details (HVHZ)



Alternate
 Sliding Rake Trim
 (Allows Expansion Movement Of
 Rake Trim, Required When Roof Run
 Exceeds 50')

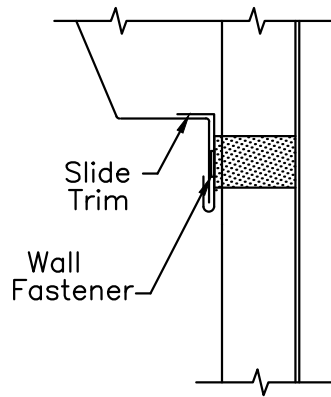
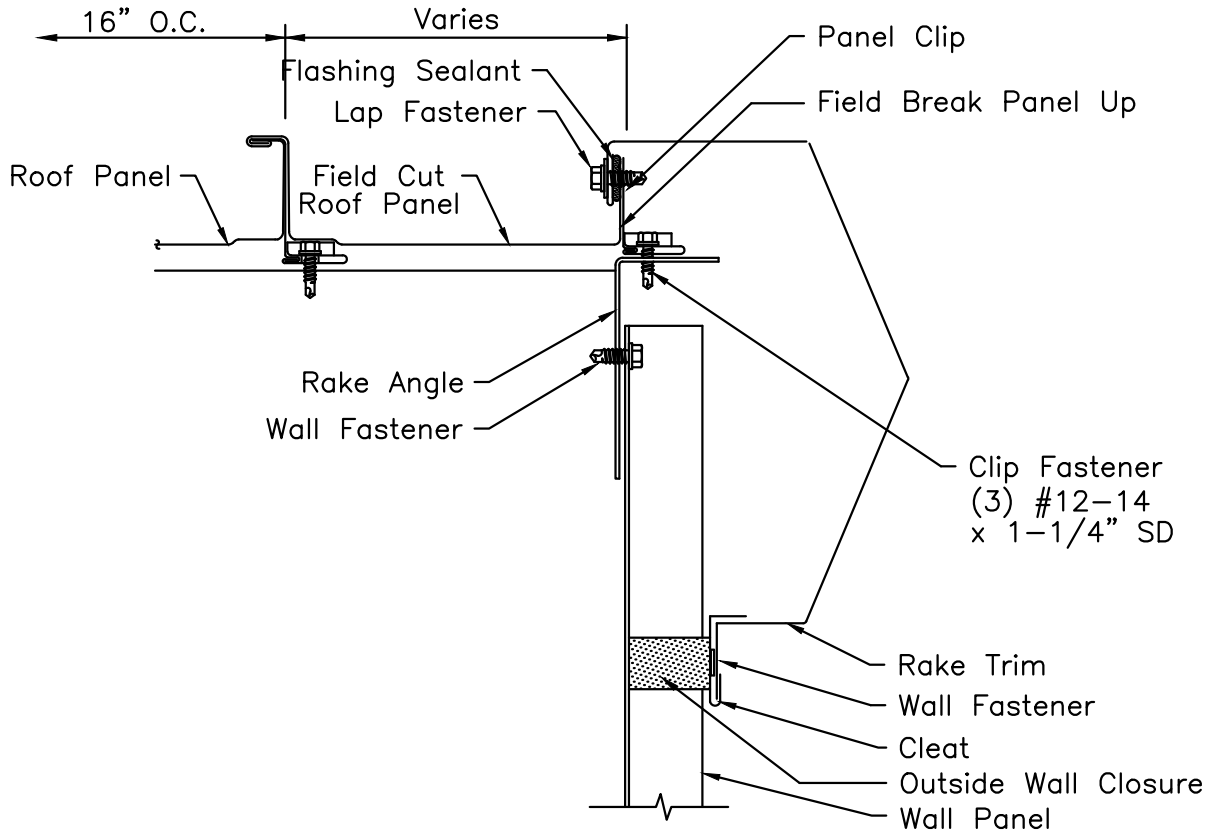
Functional

Rake Section – Starting Rake

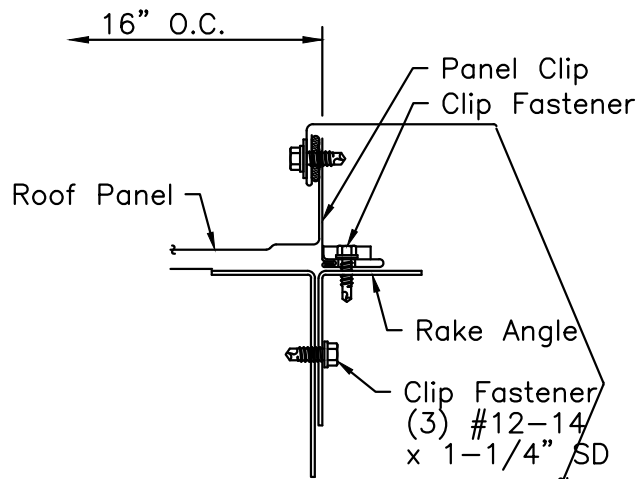


2812 Tallevast Road • Sarasota, Florida 34243
Phone: 941-755-7073 • Fax: 941-755-3067

Sur-Lok 360 Plus™ Roof System Architectural Details (HVHZ)



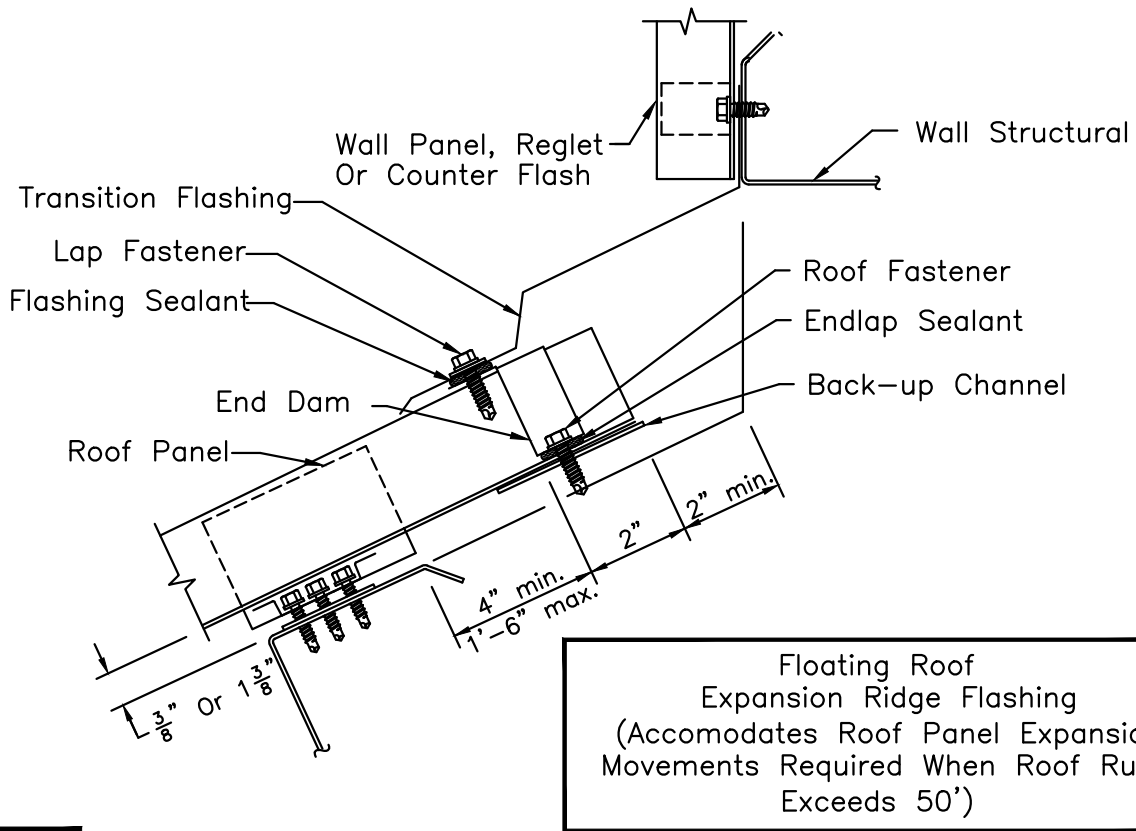
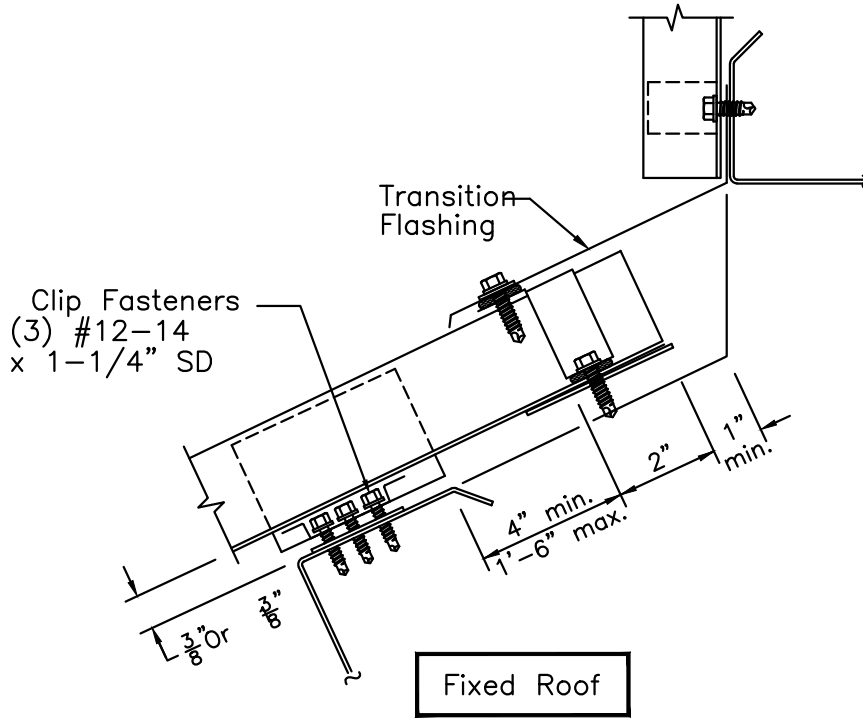
Alternate
Sliding Rake Trim
(Allows Expansion Movement Of
Rake Trim, Required When Roof Run
Exceeds 50')



Alternate
Attachment To Roof Panel Seam

Functional

Rake Section – Finish Rake

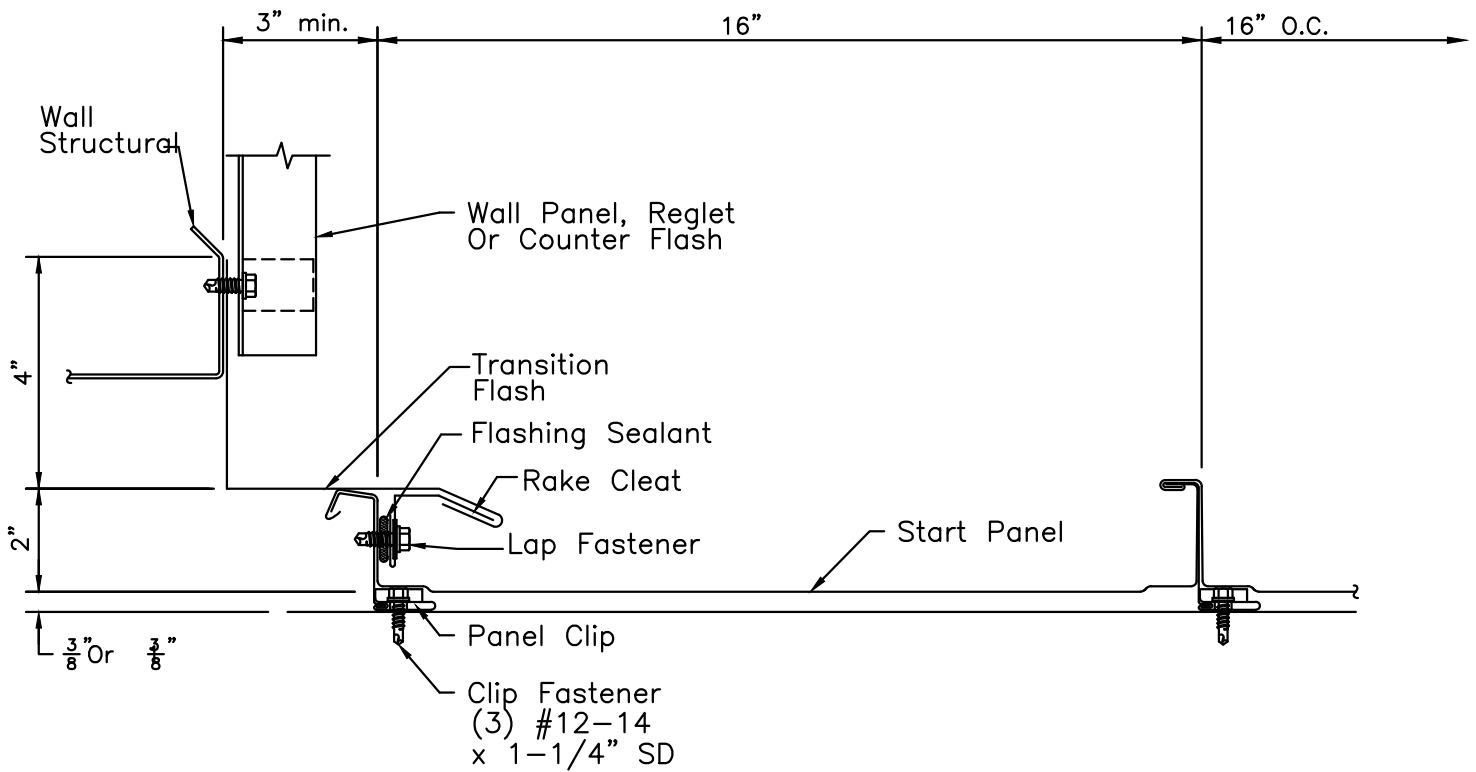


Transition Section – High Eave



2812 Tallevast Road • Sarasota, Florida 34243
Phone: 941-755-7073 • Fax: 941-755-3067

Sur-Lok 360 Plus™ Roof System Architectural Details (HVHZ)



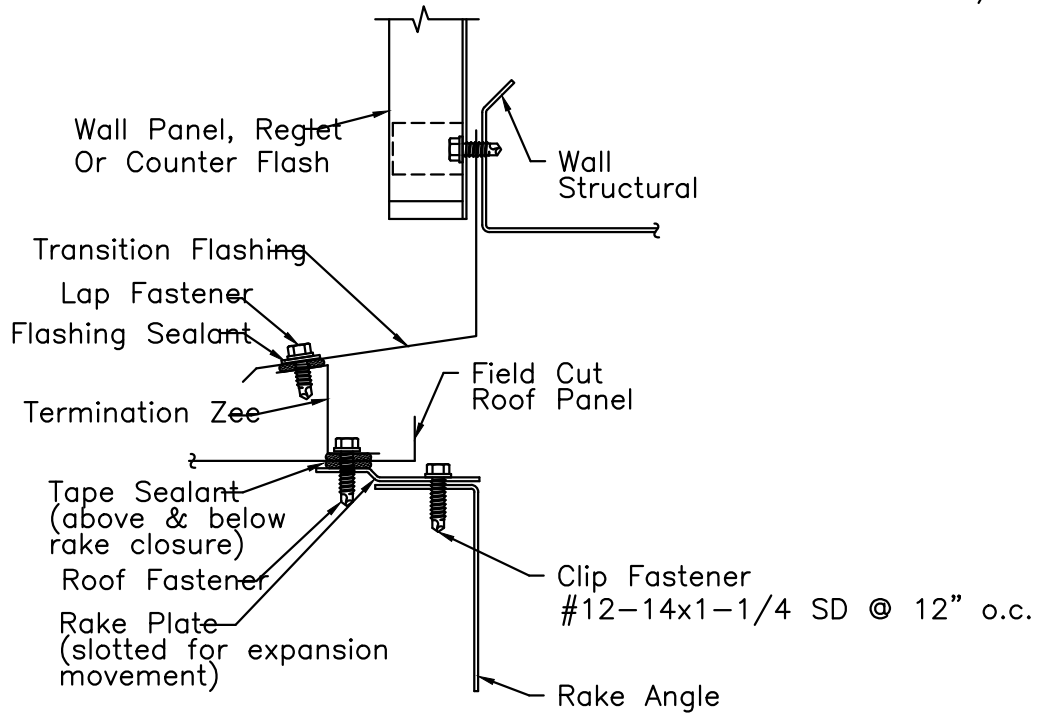
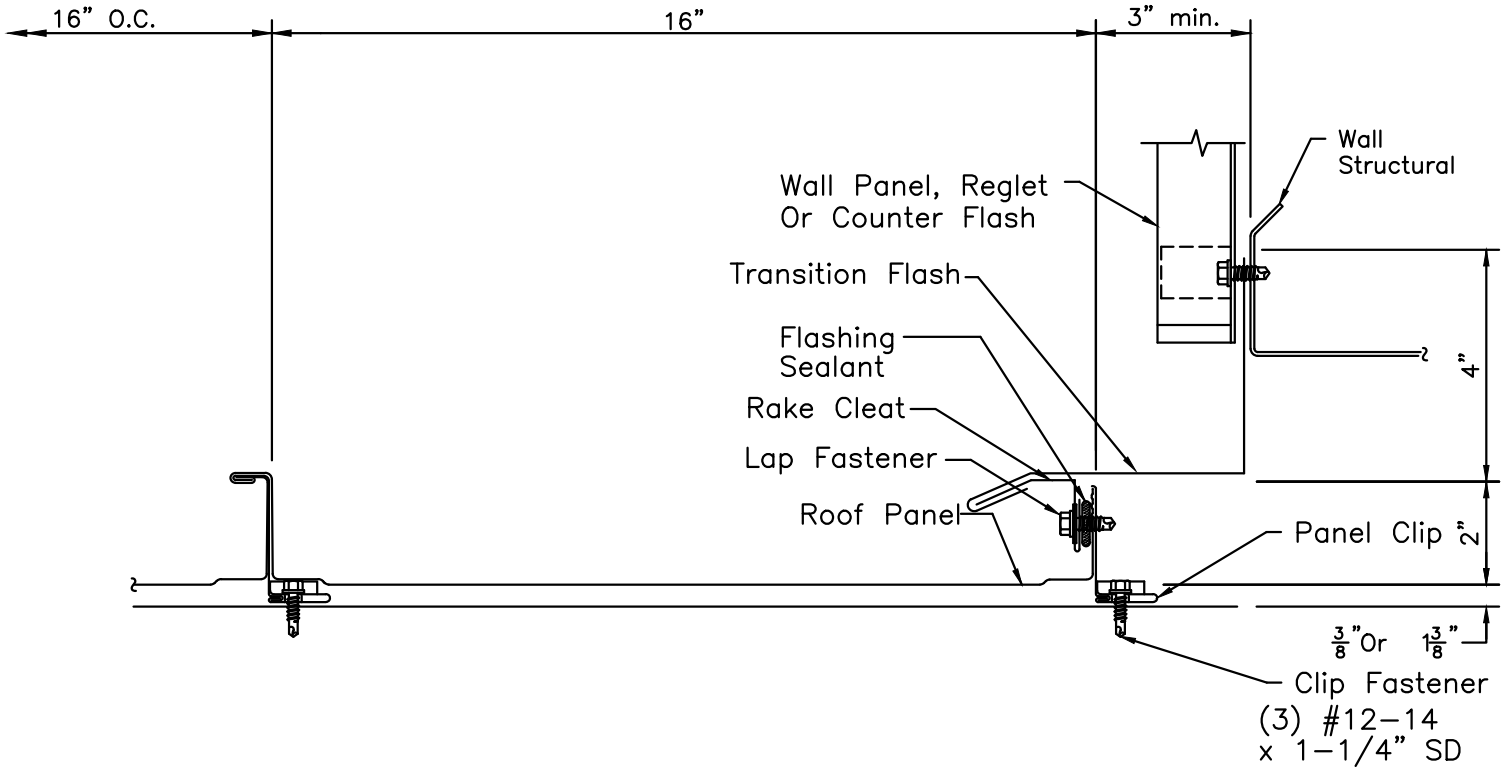
Functional

Transition Section—Starting Rake



2812 Tallevast Road • Sarasota, Florida 34243
Phone: 941-755-7073 • Fax: 941-755-3067

Sur-Lok 360 Plus™ Roof System Architectural Details (HVHZ)



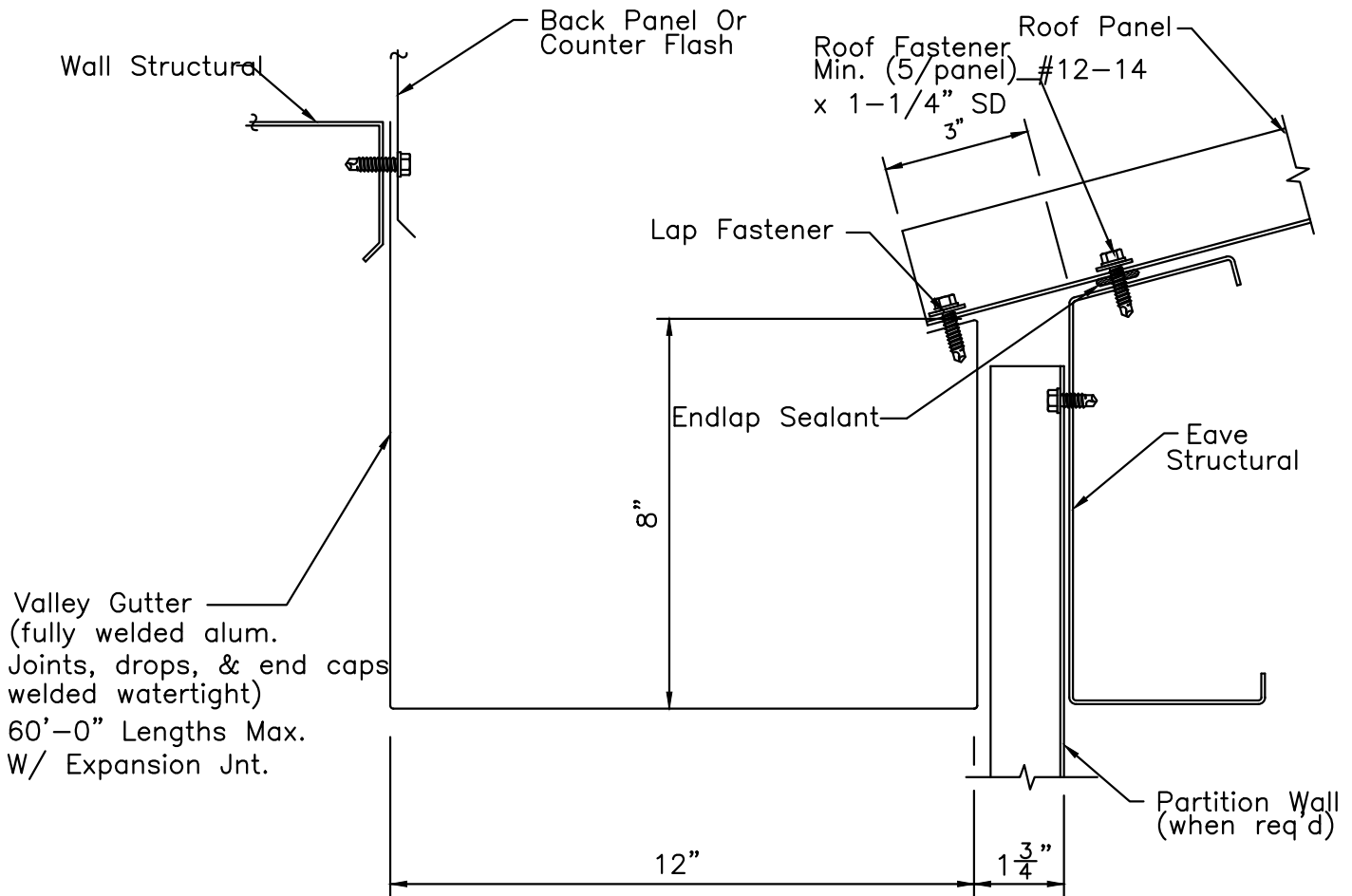
Functional

ALTERNATE
Field Cut Roof Panel

Transition Section – Finish Rake



2812 Tallevast Road • Sarasota, Florida 34243
Phone: 941-755-7073 • Fax: 941-755-3067



CAUTION
Interior Gutter Must Be Provided
With Protection From
Corrosion, Icing, Damming &
Interior Condensation

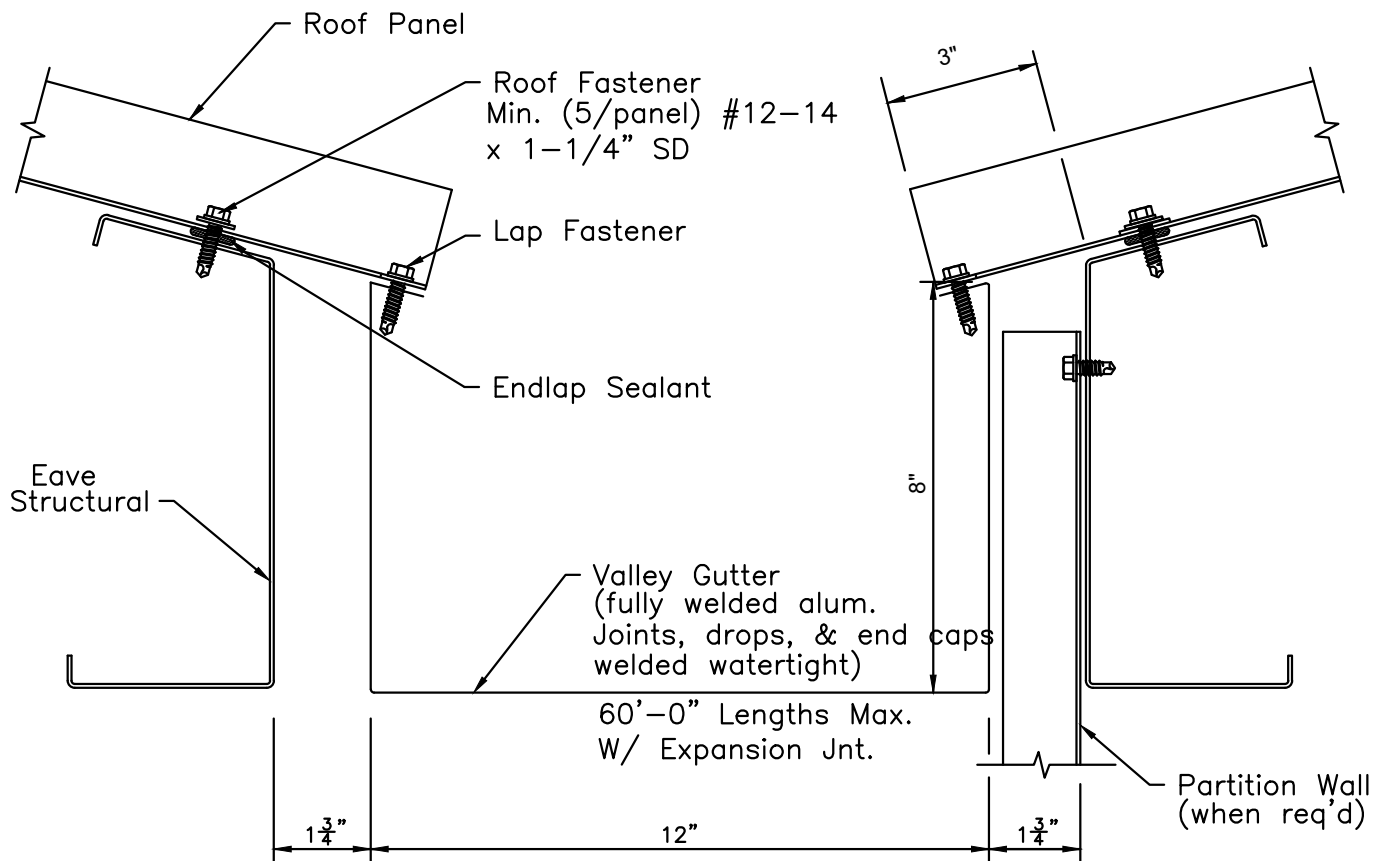
Functional

Interior Gutter Section



2812 Tallevast Road • Sarasota, Florida 34243
Phone: 941-755-7073 • Fax: 941-755-3067

Sur-Lok 360 Plus™ Roof System Architectural Details (HVHZ)



CAUTION
Interior Gutter Must Be Provided
With Protection From
Corrosion, Icing, Damming &
Interior Condensation

Functional

Valley Gutter Section